



Catálogo General



TABLA DE CONTENIDO

BOMBAS

| | |
|----------------------------------|---|
| Flo-Jet..... | 1 |
| Shur-Flo..... | 1 |
| Hypro..... | 2 |
| Udor..... | 3 |
| Miscelaneo Bombas y Motores..... | 3 |

REGULADORES Y BOQUILLAS DE AGITACIÓN

| | |
|-----------------------------|---|
| Reguladores..... | 4 |
| Boquillas de Agitación..... | 4 |
| Acumulador..... | 4 |
| Calibrador de Presión..... | 4 |

PISTOLAS DE PULVERIZACION

| | |
|--|---|
| Pistolas Pulverizadoras y Varitas..... | 5 |
|--|---|

TAMICES - ENROLLADORES

| | |
|--------------------------|---|
| Coladores..... | 6 |
| Mangueras..... | 6 |
| Carretes..... | 6 |
| Acopladores Rápidos..... | 6 |

TANQUES -

| | |
|--------------------------------|-------|
| Tanques de polietileno..... | 7-9 |
| Tanques especiales..... | 10-12 |
| Bandas y Bases de Tanques..... | 13 |
| Tanques de Valvulas..... | 14 |

GUARNICIONES

| | |
|-----------------------|-------|
| Acero Inoxidable..... | 15-16 |
| Banjo..... | 17-20 |

EQUIPO DE MANIPULACION DE PRODUCTOS QUIMICOS

| | |
|---|----|
| Chembombas/Metros..... | 21 |
| Llenar los Sistemas Pre-Mezcla Transferencia..... | 22 |

PULVERIZADORES

| | |
|--------------------------------------|-------|
| Paletas Pulverizadores Montadas..... | 23-24 |
| Pulverizadores Personalizados..... | 25 |

EQUIPO ESPECIAL Y PERSONALIZADO

| | |
|--|-------|
| Rears/Traseros y Sistemas de Ojo..... | 26-27 |
| Equipo de Agricultura Personalizado..... | 28-29 |



Bombas De Flo-Jet



Modelo: 02100-835A CCI Part # P1509
 • Max: 65 PSI • Voltage: 12V DC
 • Max: 2.1 GPM • Tipo: Derivacion Interna
 • Porto: 3/8" FPT • Viton/Valvula, Santo Diafragma.



Modelo: 02100-122A CCI Part # P1500
 • Max: 60 PSI • Voltage: 12V DC
 • Max: 2.2 GPM • Tipo: Interruptor de presion
 • Porto: 3/8" FPT • Viton/Valvula, Viton Dia.



Modelo: 02100-032A CCI Part # P1501
 • Max: 60 PSI • Voltage: 115V AC
 • Max: 1.6 GPM • Tipo: Interruptor de presion
 • Porto: 3/8" FPT • Santo/Valvula, Santo Diafragma



Modelo: 02100-959A CCI Part # P1511
 • Max: 70 PSI • Voltage: 12V DC
 • Max: 1.8 GPM • Tipo: Derivacion Interna
 • Porto: 3/8" FPT • Viton/Valvula, Santo Dia.



Modelo: 02130-132A CCI Part # P1498
 • Max: 95 PSI • Voltage: 12V DC
 • Max: 1.8 GPM • Tipo: Interruptor de presion
 • Porto: 1/4" FPT • Viton/Valvula, EPDM Dia.



Modelo: 04300-500A CCI Part # P1499
 • Max: 45 PSI • Voltage: 12V DC
 • Max: 3.7 GPM • Tipo: Interruptor de presion
 • Porto: 1/2" Barb • Viton/Valvula, Santo Dia.



Modelo: R7000 CCI Part # P1400
 • Max: 80 PSI • Voltage: 12V DC
 • Max: 7.0 GPM • Tipo: Interruptor de presion
 • Porto: 3/4" HB • EPDM or Viton/Valvula, Santo Diafragma.



Modelo: 04300-504 CCI Part # P1502
 • Max: 45 PSI • Voltage: 12V DC
 • Max: 4.9 GPM • Tipo: Interruptor de presion
 • Porto: 3/4" HB • Viton/Valvula, Santo Dia.

Bombas De Shur-Flo



Modelo: 8000-543-236 CCI Part # P1600
 • Max: 60 PSI • Voltage: 12V DC
 • Max: 1.4 GPM • Tipo: Interruptor de presion
 • Porto: 3/8" FPT • Viton/Valvula, Santo Dia.



Modelo: 8000-533-236 CCI Part # P1600A
 • Max: 60 PSI • Voltage: 115V AC
 • Max: 1.4 GPM • Tipo: Derivacion Interna
 • Porto: 3/8" FPT • Viton/Valvula, Santo Dia.



Modelo: 8007-543-836 CCI Part # P1625A
 • Max: 60 PSI • Voltage: 12V DC
 • Max: 1.4 GPM • Tipo: Interruptor de palanca
 • Porto: 3/8" FPT • Viton/Valvula, Santo Dia.



Modelo: 8030-813-239 CCI Part # P1625
 • Max: 150 PSI • Voltage: 12V DC
 • Max: 1.5 GPM • Tipo: Interruptor de presion
 • Porto: 3/8" FPT • Viton/Valvula, Santo Dia.



Modelo: 2088-343-135 CCI Part # P1601
 • Max: 45 PSI • Voltage: 12V DC
 • Max: 3.0 GPM • Tipo: Interruptor de presion
 • Porto: 1/2" MPT • Viton/Valvula, Santo Dia.



Modelo: 2088-414-534 CCI Part # P1601B Epoxy Cubierto
 • Max: 45 PSI • Voltage: 12V DC
 • Max: 3.0 GPM • Tipo: Interruptor de presion
 • Porto: 1/2" MPT • Viton/Valvula, Santo Dia.



Modelo: 8000-541-236 CCI Part # P1599
 • Max: 60 PSI • Voltage: 12V DC
 • Max: 1.0 GPM • Tipo: Interruptor de presion
 • Porto: 3/8" FPT • Viton/Valvula, Santo Diafragma.



Modelo: 8000-543-238 CCI Part # P1627
 • Max: 100 PSI • Voltage: 12V DC
 • Max: 1.47 GPM • Tipo: Interruptor de presion
 • Porto: 3/8" FPT • Viton/Valvula, Santo Dia.



Bombas

Bombas Centrífugas Hypro



| | | |
|---------|-----------|----------------------|
| Modelo: | Tipo: | Espec: |
| H9202C | Hierro | • Flujo Max: 136 GPM |
| H9203C | Cast Iron | • Max: 180 PSI |
| | | • Max: 6000 RPM |
| | | • Barra: 5/8" |



| | | |
|---------|-----------|-------------------------|
| Modelo: | Tipo: | Espec: |
| H9203PS | Poly Pump | • Flujo Max : 92 GPM |
| | | • Max: 80 PSI |
| | | • Max: 4200 RPM |
| | | • Barra: 7/8" Stainless |



| | | |
|-----------|--------------|----------------------|
| Modelo: | Tipo: | Espec: |
| H9203C-SP | Cast Iron | • Flujo Max: 120 GPM |
| | Self-Priming | • Max: 157 PSI |
| | | • Max: 5500 RPM |
| | | • Barra: 5/8" |



| | | |
|---------|---------|---------------------|
| Modelo: | Tipo: | Espec: |
| H9700B | Bronze | • Flujo Max: 19 GPM |
| | 12 Volt | • Max: 7 PSI |
| | | • Max: 5.5 AMPS |
| | | • Porta: 3/4" FPT |



| | | |
|----------|-------------|---------------------|
| Modelo: | Tipo: | Espec: |
| H9006C-O | Cast Iron | • Flujo Max: 117GPM |
| H9008C-O | Gear Driven | • Max: 78 PSI |
| H9016C-O | | • Max: 600 RPM |
| H9018C-O | | • Barra: 1 3/8" |



| | | |
|----------|------------------|----------------------|
| Modelo: | Tipo: | Espec: |
| H9303C | Cast & SS | • Flujo Max: 114 GPM |
| HM1C- 5C | Hydraulic Driven | • Max: 130 PSI |

Bombas Del Rodillo Hypro



| | | |
|---------|---------------|-------------------|
| Modelo: | Tipo: | Espec: |
| H4101C | Cast Iron | • Flujo Max: 7GPM |
| H4101N | Ni-Resist | • Max: 150 PSI |
| H4101XL | Silver series | • Max: 2600 RPM |
| | | • Porta: 3/4" FPT |
| | | • Barra: 5/8" |



| | | |
|---------|---------------|----------------------|
| Modelo: | Tipo: | Espec: |
| H6500C | Cast Iron | • Flujo Max: 9.7 GPM |
| H6500N | Ni-Resist | • Max: 300 PSI |
| H6500XL | Silver series | • Max: 1200 RPM |
| | | • Porta: 3/4" FPT |
| | | • Barra: 5/8" |



| | | |
|---------|---------------|-----------------------|
| Modelo: | Tipo: | Espec: |
| H7560C | Cast Iron | • Flujo Max: 22.5 GPM |
| H7560N | Ni-Resist | • Max: 300 PSI |
| H7560XL | Silver series | • Max: 1000 RPM |
| | | • Porta: 3/4" FPT |
| | | • Barra: 15/16" |



| | | |
|---------|---------------|----------------------|
| Modelo: | Tipo: | Espec: |
| H7700C | Cast Iron | • Flujo Max: 22.1GPM |
| H7700N | Ni-Resist | • Max: 300 PSI |
| H7700XL | Silver series | • Max: 1000 RPM |
| | | • Porta: 3/4" FPT |
| | | • Barra: 15/16" |

Bombas Piston Hypro



| | | |
|------------|-----------|--------------------|
| Modelo: | Tipo: | Espec: |
| H5330C-CHX | Cast Iron | • Flujo Max: 3 GPM |
| H5330C-HRX | Cast Iron | • Max: 500 PSI |
| | | • Max: 1800 RPM |
| | | • Barra: 5/8" |



| | | |
|---------|-----------|--------------------------|
| Modelo: | Tipo: | Espec: |
| H5210C | Cast Iron | • Flujo Max: 10 GPM |
| H5210CH | Cast Iron | • Max: 400 PSI |
| | | • Max: 600 RPM |
| | | • Barra: 1", or 1-3/8" H |

Bombas Diafragma Hypro



| | |
|----------------|---------------------------|
| Modelo: | Espec: |
| H9910-D252 | • Flujo Max: 6 GPM |
| H9910-D252GRGI | • Max: 290 PSI |
| | • Max: 3600 RPM |
| | • 3/4" Inlet, 1/2" Outlet |



| | |
|---------------|-------------------------|
| Modelo: | Espec: |
| H9910-D30 | • Flujo Max: 9.5 GPM |
| H9910-D30GRGI | • Max: 580 PSI |
| H9910-D30AP-A | • Max: 3600 RPM |
| | • 1" Inlet, 1/2" Outlet |



| | |
|---------------|--------------------------|
| Modelo: | Espec: |
| H9910-D50 | • Flujo Max: 14 GPM |
| H9910-D50AP-A | • Max: 580 PSI |
| | • Max: 550 RPM |
| | • 1-1/4" Inlet, 1/2" Out |



| | |
|----------------|---------------------|
| Modelo: | Espec: |
| H9910-D423 | • Flujo Max: 11 GPM |
| H9910-D423GRGI | • Max: 290 PSI |
| H9910-D423AP-A | • Max: 650 RPM |



Bombas

Bombas Diafragma Udor



Modelo:
UKAPPA1812Volt

Espec:
• Flujo Max: 4 GPM
• Max: 70 PSI
• Voltage: 12V DC
• 3/4" Inlet, 1/2" Outlet



Modelo:
UIOTA20

Espec:
• Flujo Max: 4.5 GPM
• Max: 275 PSI
• Max: 540 RPM
• 3/4" Inlet, 3/8" Outlet



Modelo:
UIOTA17M Electric

Espec:
• Max Flow: 4.5 GPM
• Max: 200 PSI
• Voltage: 115V AC
• 3/4" Inlet, 3/8" Outlet



Modelo:
UKAPPA40
UKAPPA40GR

Espec:
• Flujo Max: 10.5 GPM
• Max: 560 PSI
• Max: 540 RPM
• 1" Inlet, 1/2" Outlets



Modelo:
UKAPPA55
UKAPPA55GR5
UKAPPA55GR8

Espec:
• Flujo Max: 15 GPM
• Max: 350/560 PSI
• Max: 540 RPM
• 1-1/4" Inlet, 1/2" Outlets



Modelo:
UKAPPA75
UKAPPA75GR

Espec:
• Flujo Max: 20 GPM
• Max: 560 PSI
• Max: 540 RPM
• 1.25" Inlet, 3/4" Outlet



Modelo:
UKAPPA100
UKAPPA100C
UKAPPA100GR

Espec:
• Flujo Max: 26GPM
• Max: 560 PSI
• Max: 540 RPM
• 1-1/2" Inlet, 1/2" Outlets



Modelo:
UKAPPA120/TS
UKAPPA120/CC
UKAPPA120/GR

Espec:
• Flujo Max: 35 GPM
• Max: 700 PSI
• Max: 540 RPM
• 1.50" Inlet, 3/4" Outlet



Modelo:
URO110
URO110C
URO110GR-5
URO110GR

Espec:
• Flujo Max: 29GPM
• Max: 300 PSI
• Max: 540 RPM
• 1-1/4" Inlet, 3/4" Outlets



Modelo:
UBETA150CC

Espec:
• Flujo Max: 42 GPM
• Max: 700 PSI
• Max: 540 RPM
• 1.50" Inlet, 3/4" Outlet

Bomba/Motores/Caja Adicionales

Bombas Trasiego De Banjo



Modelo:
B205PB-V
B200PB-I
B200PB-SS

Espec:
• 2" Bomba Poly
• 2" Cast Iron Pedestal Pump
• 2" SS Pedestal Pump



Bombas 2" Motor Banjo Gas con Arranque Elec

Modelo:
B200PH-5
B200PH-5E

Espec:
• 2" Bomba Poly
• Electric Start option



Bombas Poly ACE con Motor de Gas

Modelo:
GE-85-LE
GESC-85-LE

Espec:
• 1" Bomba Poly
• 1" Silicon Carbide Seal
• 2" SS Pedestal Pump



Motor Honda

Modelo: Espec:
E110 GX160 Estándar w/Oil Alert
E115 GX160 6:1 Gear Reduction
E120 GX240 Estándar w/Oil Alert
E141A GX390 Estándar w/Oil Alert



Caja de Reducción

Modelo:
H9910KIT1640
D30 Gear Box
H9910KIT1642
D50 Gear Box

Espec:
• 6:1 Reducción de marcha
• Fits: 3/4" Shaft Engine
• 6:1 Reducción de marcha
• Fits: 1" Shaft Engine



Motor Honda con Arranque Electrico

Modelo: Espec:
E116 GX160 Estándar w/Oil Alert
E125 GX240 Estándar w/Oil Alert
E141 GX390 Estándar w/Oil Alert



Reguladores



Modelo: H9910KIT1990
 Espec:
 • Fits: D252 Diafragma Bomba
 • Max: 275 PSI
 • Max: 6 GPM
 • 5/8" Bypass, 3/8" Salida



Modelo: H9910-GS40GI
 Espec:
 • Fits: D30/D50 Bombas
 • Max: 550 PSI
 • Max: 15 GPM
 • 5/8" Salida, 1/2" Derivación



Modelo: U6010.23
 Espec:
 • Fits: IOTA17 Bomba
 • Max: 275 PSI
 • Max: 5 GPM
 • Puerto de 3/8" Bypass



Modelo: U6010.24
 Espec:
 • Fits: Kappa40,55 Bombas
 • Max: 560 PSI
 • Max: 20 GPM
 • 3/4" Salida, 1/2" Derivación



Modelo: U6047.06
 Espec:
 • Fits: Kappa75 Bomba
 • Max: 560 PSI
 • Max: 26 GPM
 • 3/4" Bypass, Salida de 1/2"



Modelo: U6005.31
 Espec:
 • Fits: Gamma62 Bomba
 • Max: 600 PSI
 • Max: 26 GPM
 • 3/4" BSP Salida, 3/4" Deriv.



Modelo: UD1/4.50
 UD1/4.150
 Espec:
 • Fits: Kappa18/12V
 • Max: 50/150 PSI
 • Max: 4.5 GPM
 • 1/4" Salida, 1/4" Derivación



Modelo: U6005.15
 Espec:
 • Aplicación Universal
 • Max: 1000 PSI
 • Max: 45 GPM
 • 3/4" Salida, 1" Derivación



Modelo: S8460-3/4
 Espec:
 • Max: 70 GPM
 • Max: 300 PSI
 • 3/4" Entrada, Salida de 3/4"
 • Calibre 1/4" Puerto



Modelo: S6815-3/4-300
 S6815-3/4-700
 Espec:
 • Max: 65 GPM
 • Max: 300/700 PSI
 • 3/4" Salida, 3/4" Derivación
 • Brass Body



Modelo: S23120A-1/2-PP
 S23120A-3/4-PP
 Espec:
 • Aplicación Universal
 • Max: 150 PSI
 • Max: 30 GPM
 • Calibre 1/4" Puerto



Modelo: S12690-3/4-NYB
 Espec:
 • Throttling Valve
 • Max: 125 PSI
 • Max: 56 / 82 GPM
 • 1/2", 3/4" Connections



Hypro Jet Agitadores

Modelo: H3371
 H3371-0019
 Espec:
 • 1/2" FPT Inlet Jet Orifice
 • 3/4" MPT Inlet Orifice
 • Nylon Body and Orifice
 • Jet Agitator



Hypro HV Agitador de Jet

Modelo: H3371-0028
 Espec:
 • 3/4" MPT Inlet Jet Orifice
 • High Volume Jet Agitator
 • 3 Orifices to match flow
 • Glass-filled Polypropylene



Modelo: H3375-0003
 Espec:
 • Surge Tank – Dampener
 • Max: 500 PSI
 • Max: 10 GPM
 • 1/2" MPT Connection



Calibradores de Precion

Modelo: M201 0-100 PSI
 M202 0-200 PSI
 M203 0-300 PSI
 M204 0-600 PSI
 Espec:
 • 2-1/2" Liquid Filled Gauge
 • Stainless Case
 • Brass Internal Parts & Stem
 • 1/4" NPT Stem



Pistolas De Pulverización

Pistolas De Pulverización

Modelo:
S22670PP15406

- Espec:
- Max: 150 PSI
 - Punta de rociador adj.
 - Peso ligero Polypro
 - 15" Extension, 3/8 Inlet



Modelo:
U4.802.14WB

- Espec:
- Max: 300 PSI
 - 20" Varita Inoxidable
 - Patrón de pulverización ajustable
 - Poly Válvula de disparo



Modelo:
SAA31

- Espec:
- Max: 500 PSI
 - Max: 3 GPM
 - Cuerpo de latón forjado
 - 1/4" MPT Inlet



Modelo:
S4688

- Espec:
- Max: 250 PSI
 - Max: 2 GPM
 - Cuerpo de latón forjado
 - 1/4" FPT Inlet, 11/16 Outlet



Modelo:
S4754

- Espec:
- Manija de Cobre amarillo
 - 1/4" MPT x 3/4" FGHT
 - Palanca del tamiz 50 M
 - 1/4" FPT Inlet



S5820-25



| Modelo: Ext. Recta | Model: Ext. Curva |
|--------------------|-------------------|
| S7715-8 8" | S6671-8 8" |
| S7715-18 18" | S6671-18 18" |
| S7715-24 24" | S6671-24 24" |
| S7715-36 36" | S6671-36 36" |



Modelo:
AA30L-22425-18
AA30L-22425-24
AA30L-22425-36
AA30L-22425-48

- Espec:
- Max: 250 PSI
 - Max: 5 GPM
 - Conjuntas Nylon
 - 1/4" FPT Inlet



Modelo:
SAA43H-6

- Espec:
- Max: 800 PSI
 - Max: 14 GPM
 - Latón/construcción de aluminio
 - 1/2" Inlet



Modelo:
S25660-0

- Espec:
- Max: 200 PSI
 - Max: 6 GPM
 - Conjuntas Nylon toricas viton
 - 3/4" FPT Inlet



Modelo:
SAA2-60

- Espec:
- Max: 800 PSI
 - Max: 10 GPM
 - Cuerpo de latón
 - 3/4" FHT Inlet



Modelo:
U26.901.162

- Espec:
- Max: 850 PSI
 - Max: 15 GPM
 - Patrón de pulverización ajustable
 - 1/2" HB Inlet



Modelo:
U35.901.16

- Espec:
- Max: 600 PSI
 - Max: 5 GPM
 - Extension barril 7"
 - 1/2" HB Inlet



Modelo:
U23.208.84

- Espec:
- Max: 700 PSI
 - Max: 18 GPM
 - Niquel plateado aluminio
 - 1/2" FPT Inlet



Modelo:
U7.901.103

- Espec:
- Max: 850 PSI
 - Max: 25 GPM
 - Regulables barril 17"
 - 1/2" Entrada HB



Modelo:
GGJD9C-B

- Espec:
- Max: 550 PSI
 - Max: 10 GPM
 - Chorro rapido ajustable
 - 3/4" FPT Inlet



Modelo:
CCILAWNGUN

- Espec:
- 36" Aplicador de aluminio
 - 1/2" Acolpador rápido
 - 1/2" Valvula de bola de latón
 - Boquilla plana de césped





Coladores/Mangueras

Filtros / Coladores



Colador Hypro

| Modelo: | Size: | Modelo: | Size: |
|------------|-------|------------|--------|
| H3350-0082 | 1/4" | H3350-0075 | 1-1/4" |
| H3350-0042 | 1/2" | H3350-0113 | 1-1/2" |
| H3350-0044 | 3/4" | H3350-0061 | 1" |



Filtros de Polipropileno Transparente

| Modelo: | Size: |
|---------------|--------------------|
| HLSFP012VS2CC | 1/2" FPT Colador |
| HLSFP034VS2CC | 3/4" FPT Colador |
| HLSFP100VS2CC | 1" FPT Colador |
| HLSFP112VS4C | 1-1/2" FPT Colador |



Coladores de Spraying Systems

| Modelo: | Size: |
|-----------------|------------|
| SAA124A34PP50 | 3/4" FPT |
| SAA124A1PP50 | 1" FPT |
| SAA12411/4NY50 | 1-1/4" FPT |
| SAA12411/2NYB50 | 1-1/2" FPT |



Y-Colador Banjo

| Modelo: | Size: |
|----------|--------------------------|
| BLS10040 | 1" Colador / 40 Mesh |
| BLS15050 | 1-1/2" Colador / 50 Mesh |
| BLS20050 | 2" Colador / 50 Mesh |
| BLS30020 | 3" Colador / 20 Mesh |

Teleducha

PVC Manguera Braded Claro

| Modelo: | Size: | Modelo: | Size: |
|---------|---------|---------|--------|
| HZ929 | 1/4" ID | HZ933 | 3/4" |
| HZ930 | 3/8" ID | HZ934 | 1" |
| HZ931 | 1/2" ID | HZ934A | 1-1/4" |
| HZ932 | 5/8" ID | | |



Presion Alto PVC Manguera (600 PSI)

| Modelo: | Size: | |
|---------|---------|-----------------|
| HZ900 | 3/8" ID | • 300' Per Roll |
| HZ901 | 1/2" ID | |
| HZ903 | 3/4" ID | |



Manguera de caucho rojo spray

| Modelo: | Size: |
|---------|---------|
| HZ904 | 3/8" ID |
| HZ905 | 1/2" ID |
| HZ905A | 3/4" ID |
| HZ906 | 1" ID |



PVC Manguera de Succión

| Modelo: | Size: | Modelo: | Size: |
|---------|-----------|---------|-------|
| HZ910 | 3/4" ID | HZ914 | 2" ID |
| HZ911 | 1" ID | HZ915 | 3" ID |
| HZ912 | 1-1/4" ID | HZ916 | 4" ID |
| HZ913 | 1-1/2" ID | | |



Enrollador de Mangueras

Enrollador de Mangueras Hannay

| Modelo: | Espec: |
|---------|--|
| HZ968 | 10" (1/2" Hose x 100' Capacity) |
| HZ974 | 12" (1/2" Hose x 150' Capacity) |
| HZ975 | 18" (1/2" Hose x 300' Capacity) |
| HZ976 | 18" (1/2" Hose x 300' Capacity) Elect. |



Enrollador de Manguera Titan

| Modelo: | Espec: |
|---------|------------------------------|
| HZ4312 | 12" Aluminum/SS Hose Reel |
| HZ4318 | 18" Aluminum/SS Hose Reel |
| HZ5512 | 12" All Stainless Steel Reel |
| HZ5518 | 18" All Stainless Steel Reel |



Elabones giratorios de carrete de manguera

| Modelo: | Espec: |
|---------|---------------------------|
| HZ973 | 1/2" 90° Brass Swivel |
| HZ8620 | 1/2" 90° Stainless Swivel |



Manguera reutilizable reparación final

| Modelo: | Espec: |
|---------|----------------------|
| FB600 | 3/8" MPT x 3/8" Hose |
| FB601 | 3/8" MPT x 1/2" Hose |
| FB603 | 1/2" MPT x 3/8" Hose |
| FB604 | 1/2" MPT x 1/2" Hose |



Acopladores Rápidos

Enchufes macho acoplador rápido

| Modelo: | Espec: |
|---------|---------------------|
| FB430A | 1/4" MPT Brass Plug |
| FB429 | 3/8" MPT Brass plug |
| FB433 | 1/2" MPT Brass Plug |



Tapones de acople rápido hembra

| Modelo: | Espec: |
|---------|---------------------|
| FB430 | 1/4" FPT Brass Plug |
| FB428 | 3/8" FPT Brass Plug |
| FB432 | 1/2" FPT Brass Plug |
| FB434 | 3/4" FPT Brass Plug |



Enchufes macho acoplador rápido

| Modelo: | Espec: |
|---------|-----------------------|
| FB419 | 3/8" MPT Socket Brass |
| FB423 | 1/2" MPT Socket Brass |



Zócalo de acople rápido hembra

| Modelo: | Espec: |
|---------|-----------------------|
| FB431 | 1/4" FPT Socket Brass |
| FB418 | 3/8" FPT Socket Brass |
| FB422 | 1/2" FPT Socket Brass |
| FB425 | 3/4" FPT Socket Brass |





Tanques de Polietileno

Tanques de Polietileno

Tanque de Almacenamiento

- 100% Polietileno virgen
- Aprobado para almacenamiento de agua potable
- Moldeado en galon Indicadores en los lados
- Disponible en tamaños de hasta 12,000 galones



| Modelo: | Gal. | Dia. | Altura | Tapa |
|---------|------|------|--------|------|
| T1007A | 20 | 16" | 48" | 8" |
| T1008N | 25 | 18" | 29" | 5" |
| T1009A | 40 | 18" | 43" | 5" |
| T1010N | 50 | 18" | 53" | 5" |
| T1012N | 65 | 23" | 43" | 8" |
| T1014A | 75 | 23" | 50" | 8" |
| T1016D | 100 | 30" | 36" | 8" |
| T1018N | 100 | 28" | 43" | 8" |
| T1020N | 105 | 23" | 63" | 8" |
| T1024N | 120 | 38" | 29" | 5" |
| T1026N | 150 | 30" | 56" | 8" |
| T1028N | 165 | 31" | 56" | 16" |
| T1030N | 200 | 30" | 72" | 16" |
| T1032N | 210 | 32" | 69" | 16" |
| T1040N | 220 | 42" | 41" | 5" |
| T1046N | 250 | 30" | 89" | 8" |
| T1047N | 265 | 31" | 88" | 8" |
| T1056R | 330 | 47" | 51" | 16" |
| T1048N | 300 | 36" | 79" | 16" |
| T1052N | 305 | 46" | 50" | 16" |
| T1056R | 330 | 47" | 48" | 16" |
| T1058A | 425 | 42" | 75" | 8" |
| T1060N | 500 | 48" | 73" | 16" |
| T1060AA | 505 | 46" | 80" | 16" |
| T1068N | 550 | 67" | 44" | 16" |
| T1070A | 625 | 64" | 50" | 8" |
| T1071D | 650 | 56" | 68" | 16" |
| T1072N | 750 | 48" | 103" | 16" |
| T1076N | 850 | 48" | 118" | 16" |
| T1076A | 850 | 54" | 92" | 8" |
| T1086A | 900 | 46" | 132" | 16" |
| T1088N | 1000 | 64" | 80" | 16" |
| T1096N | 1100 | 87" | 53" | 16" |
| T1100R | 1200 | 86" | 53" | 16" |
| T1100A | 1200 | 64" | 94" | 16" |
| T1104N | 1500 | 64" | 116" | 16" |
| T1108N | 1550 | 87" | 67" | 16" |
| T1112R | 1700 | 86" | 72" | 16" |
| T1116A | 2000 | 90" | 84" | 16" |
| T1116AA | 2000 | 64" | 165" | 16" |
| T1120O | 2025 | 64" | 153" | 16" |
| T1124N | 2100 | 87" | 89" | 16" |
| T1125A | 2150 | 102" | 71" | 16" |
| T1128N | 2500 | 95" | 91" | 16" |

Tanques de Almacenamiento cont:

| Modelo: | Gal. | Dia. | Altura | Tapa |
|---------|-------|------|--------|------|
| T1128A | 2500 | 90" | 100" | 16" |
| T1132N | 3000 | 95" | 109" | 16" |
| T1136N | 4000 | 102" | 125" | 16" |
| T1136A | 4000 | 96" | 140" | 16" |
| T1138N | 4200 | 102" | 131" | 16" |
| T1140N | 5000 | 102" | 152" | 16" |
| T1148N | 6000 | 102" | 182" | 16" |
| T1152N | 6100 | 120" | 139" | 16" |
| T1156N | 6500 | 120" | 150" | 16" |
| T1156O | 6500 | 102" | 196" | 16" |
| T1158N | 7800 | 119" | 176" | 16" |
| T1159N | 8400 | 119" | 188" | 16" |
| T1160N | 9000 | 141" | 144" | 16" |
| T1164N | 10000 | 141" | 159" | 16" |
| T1165N | 10500 | 144" | 165" | 22" |
| T1168N | 12500 | 144" | 194" | 22" |
| T1170N | 15000 | 144" | 244" | 16" |
| T1170NW | 15000 | 165" | 186" | 16" |
| T1175N | 20000 | 165" | 242" | 16" |

Tanques de Polietileno Cono Inferior



- 100% Polietileno Virgen
 - Aprobado para Almacenamiento de agua potable
 - Moldeado en galon indicadores en los lados
- Disponible en tamaños de hasta 75,000 galones
*Incluye soporte poly

| Modelo: | Gal. | Dia. | Altura | Tapa |
|---------|------|------|--------|------|
| T5042A | 10 | 13" | 21" | 8" |
| T2004N | 15 | 19" | 25" | 8" |
| T2007A | 30 | 24" | 26" | 12" |
| T2008N | 35 | 23" | 27" | 8" |
| T2009A | 40 | 30" | 34" | 12" |
| T2015A | 60 | 24" | 39" | 12" |
| T2015N | 60 | 31" | 31" | 16" |
| T2020O | 80 | 32" | 34" | 10" |
| T2121A | 85 | 30" | 44" | 12" |
| T2025A | 110 | 30" | 51" | 12" |
| T2026R | 110 | 44" | 34" | 6" |
| T2030A | 150 | 36" | 51" | 12" |
| T2032N | 175 | 42" | 49" | 8" |
| T2037A | 200 | 42" | 54" | 12" |
| T2038R | 220 | 44" | 50" | 6" |
| T2040D | 250 | 47" | 51" | 16" |
| T2044N | 300 | 49" | 52" | 16" |
| T2044A | 300 | 49" | 61" | 16" |
| T2045N | 310 | 43" | 72" | 8" |
| T2048D | 400 | 47" | 69" | 16" |
| T2052N | 500 | 48" | 85" | 16" |
| T2058D | 600 | 47" | 91" | 16" |
| T2062N | 750 | 72" | 55" | 16" |
| T2067A | 1000 | 64" | 98" | 16" |
| T2068N | 1050 | 72" | 85" | 16" |



Tanques de Polietileno

Tanques Elipticos con Piernas

Este estilo de tanque pierna eliptico está diseñado para proporcionar mayor capacidad con el centro de gravedad, el mayor diseño para volúmenes mayores de transporte. Función eliptica tanques moldeado en las patas que actuan como "deflector" para reducir chapoteo y proporcionar mayor estabilidad durante el transporte.



| Modelo: | Gal. | Dia. | L. | Altura | Tapa | Bandas |
|---------|------|------|------|--------|------|--------|
| T3130N | 335 | 48" | 71" | 33" | 16" | 2 |
| T3140A | 510 | 57" | 80" | 39" | 16" | 2 |
| T3140N | 535 | 57" | 80" | 39" | 16" | 2 |
| T3144N | 1035 | 79" | 89" | 53" | 16" | 3 |
| T3152N | 1635 | 71" | 142" | 57" | 16" | 4 |
| T3156N | 2035 | 84" | 142" | 55" | 16" | 4 |
| T3160N | 2635 | 90" | 140" | 71" | 16" | 4 |
| T3164N | 3135 | 88" | 151" | 76" | 16" | 4 |
| T3168N | 4035 | 92" | 192" | 77" | 16" | 4 |

[Vea la Pagina 13 para bandas](#)

Poly cono inferior tanques cont:

| Modelo: | Gal. | Dia. | Altura | Tapa |
|---------|------|------|--------|------|
| T2070A | 1490 | 64" | 132" | 16" |
| T2074N | 1600 | 88" | 94" | 16" |
| T2080N | 2500 | 95" | 105" | 16" |
| T2082N | 2500 | 95" | 114" | 16" |
| T2086N | 3000 | 95" | 121" | 16" |
| T2086A | 3000 | 95" | 131" | 16" |
| T2089A | 4900 | 102" | 159" | 16" |
| T2090N | 5500 | 119" | 146" | 16" |
| T2092N | 6000 | 102" | 195" | 16" |
| T2094N | 7500 | 141" | 148" | 16" |

[Vea la Pagina 13 para soportes](#)

Tanques Horizontales para Aplicaciones



| Modelo: | Gal. | Dia. | Longitud | Tapa |
|---------|------|-------|----------|------|
| T4012N | 12 | 14" | 18" | 5" |
| T4016N | 14 | 13.5" | 31" | 5" |
| T4020N | 20 | 15" | 28" | 5" |
| T4028N | 30 | 23" | 22" | 5" |
| T4032N | 55 | 23" | 34" | 8" |
| T4036N | 85 | 23" | 52" | 5" |
| T4040A | 95 | 24" | 56" | 5" |
| T4044N | 110 | 30" | 42" | 8" |
| T4048N | 150 | 32" | 46" | 8" |
| T4056N | 200 | 32" | 62" | 8" |
| T4060N | 200 | 38" | 47" | 8" |
| T4072N | 300 | 38" | 68" | 8" |
| T4076N | 400 | 42" | 73" | 8" |
| T4080N | 500 | 48" | 75" | 8" |

[Pregunta acerca de sillas y canas](#)

Tanques Elipticos



| Modelo: | Gal. | Dia. | L. | Alt. | Tapa |
|---------|------|------|------|------|------|
| T8008N | 200 | 40" | 66" | 30" | 8" |
| T8012N | 300 | 48" | 70" | 32" | 8" |
| T8016N | 500 | 57" | 82" | 38" | 16" |
| T8020N | 750 | 69" | 88" | 44" | 16" |
| T8024N | 1000 | 78" | 90" | 51" | 16" |
| T8025N | 1600 | 78" | 138" | 49" | 16" |
| T8026N | 2550 | 88" | 142" | 69" | 16" |

Tanques Para Rociar En Ciertas Areas

- Insertos moldeados para montaje de la bomba y accesorios.
- Moldeado en galón, indicadores sobre las paredes laterales para facil calibración.

| Modelo: | Gal. |
|---------|------|
| T4016R | 14 |
| T4017A | 15 |
| T4024A | 25 |
| T4024R | 25 |
| T4029A | 40 |
| T4035A | 60 |



Depósito de Ahorro de Espacio Slimline



| Modelo: | Gal. | Ancho | Longitud |
|---------|------|-------|-----------|
| T4052N | 150 | 28" | 40" / 50" |
| T4064A | 200 | 24" | 46" / 61" |
| T4068A | 250 | 24" | 51" / 61" |



Tanques de Polietileno

Tanques Horizontales de Pierna

Utilizado principalmente para el transporte y las aplicaciones de viveros de plantas, tanques de piernas, característica moldeado en las piernas que actúan como "deflector" para reducir chapoteo.

Vea la Pagin  13 para las Bandas

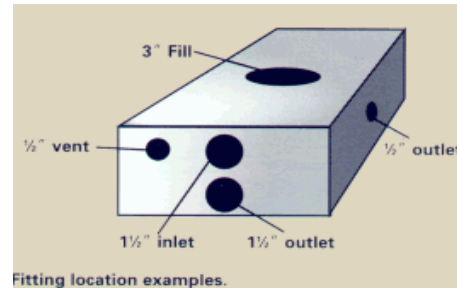


| Modelo: | Gal. | Dia. | Long. | Tapa | Bandas |
|---------|------|------|-------|------|--------|
| T3004N | 35 | 20" | 29" | 5" | 2 |
| T3004A | 35 | 18" | 34" | 5" | 2 |
| T3008N | 65 | 23" | 43" | 5" | 2 |
| T3008A | 65 | 24" | 39" | 5" | 2 |
| T3012N | 125 | 32" | 41" | 8" | 2 |
| T3012A | 125 | 32" | 40" | 8" | 3 |
| T3002A | 165 | 32" | 54" | 8" | 3 |
| T3016N | 225 | 38" | 49" | 8" | 2 |
| T3016A | 225 | 38" | 52" | 8" | 3 |
| T3020N | 325 | 38" | 68" | 16" | 2 |
| T3022A | 335 | 44" | 56" | 16" | 3 |
| T3021N | 425 | 49" | 60" | 16" | 2 |
| T3024N | 525 | 49" | 71" | 16" | 2 |
| T3025A | 535 | 48" | 78" | 16" | 3 |
| T3028N | 725 | 49" | 101" | 16" | 3 |
| T3029A | 735 | 48" | 103" | 16" | 3 |
| T3032N | 1025 | 49" | 139" | 16" | 4 |
| T3033A | 1065 | 58" | 106" | 16" | 3 |
| T3033N | 1325 | 66" | 99" | 16" | 4 |
| T3036N | 1625 | 63" | 134" | 16" | 4 |
| T3037N | 5025 | 92" | 190" | 16" | 5 |

Tanques de Polietileno Pan

- Pan tanques son polietileno moldeado anticorrosivo con una pieza de construcci n sin costuras.
- Aprobado por la FDA para almacenamiento de agua potable.
- * Tanques no incluyen las tapas o las guarniciones.

| Modelo: | Gal. | Long. | Anch. | Alt. |
|---------|------|-------|-------|------|
| T5034R | 6 | 16 | 12 | 8 |
| T5052R | 12 | 23 | 14 | 10 |
| T5058R | 13 | 20 | 17 | 9 |
| T5066R | 14 | 20 | 18 | 9 |
| T5088R | 15 | 23 | 14 | 12 |
| T5094R | 15 | 27 | 14 | 10 |
| T5102R | 20 | 22 | 19 | 11 |
| T5116R | 20 | 26 | 14 | 13 |
| T5124R | 21 | 34 | 12 | 12 |
| T5132R | 21 | 36 | 20 | 7 |
| T5152R | 28 | 50 | 16 | 8 |
| T5154R | 29 | 30 | 20 | 12 |
| T5166R | 31 | 30 | 24 | 10 |
| T5174R | 35 | 48 | 17 | 10 |
| T5192R | 50 | 36 | 18 | 18 |
| T5198R | 61 | 35 | 27 | 15 |
| T5206R | 65 | 73 | 32 | 6 |



Tanques de Control de Plagas

Estos tanques son polietileno moldeado rotatorio con undiseno acanalado para la fuerza adicional. El color est ndar es blanco; se  aaden inhibidores de UV para la protecci n contra la luz solar. (Colores opcionales disponibles en grandes cantidades). Son ideales para la agricultura, viveros, cuidado del cesped y rociadores de c sped comercial.



| Modelo: | Gal. | Long. | Anch. | Altura |
|---------|------|-------|-------|--------|
| T5520N | 30 | 25" | 19" | 20" |
| T5530A | 50 | 38" | 19" | 20" |
| T5540A | 100 | 38" | 30" | 26" |
| T5550A | 150 | 48" | 37" | 26" |
| T5560A | 200 | 48" | 36" | 35" |
| T5570A | 300 | 69" | 36" | 35" |

Part # T9670CCS

Tanques 275 galones UN transparentes (reacondicionados)
 6" tapa superior
 2" Valvula de fondo
 Botella de polietileno
 Jaula de acero galvanizada
 40"W x 48"D x 45"H
 Llamar para precios

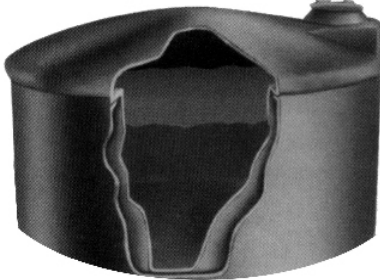




Tanques de Especialidad

Tanques pesados, diseñados para soportar servicio robusto parte superior abierta para mezclar y relleno autoportante, translúcido-visible nivel de contenido, conveniente material aprobado por la FDA. Soportes opcionales de acero con recubrimiento resistente a la corrosión, o acero inoxidable, construidos gradas están disponibles.

Tanques de Almacenamiento de Doble Pared



| Modelo: | Gal. | Dia. | Alt. | Tapa |
|-----------|------|------|------|------|
| T7004RDBL | 18 | 21" | 21" | 8" |
| T7008RDBL | 35 | 21" | 34" | 8" |
| T7012RDBL | 65 | 26" | 35" | 8" |
| T7016PDBL | 105 | 36" | 42" | 5" |
| T7020RDBL | 120 | 32" | 44" | 8" |
| T7024PDBL | 160 | 36" | 59" | 5" |
| T7030PDBL | 540 | 77" | 48" | 10" |
| T7034PDBL | 1000 | 77" | 79" | 19" |
| T7040PDBL | 1550 | 96" | 84" | 19" |
| T7046PDBL | 2500 | 96" | 119" | 16" |
| T7050PDBL | 3150 | 122" | 92" | 24" |
| T7060PDBL | 4400 | 122" | 118" | 24" |
| T7066PDBL | 5400 | 143" | 117" | 24" |
| T7080PDBL | 8700 | 143" | 174" | 24" |

Tanques de Transporte

Esta pieza, tanque de polietileno moldeado está diseñada para la economía. El bajo perfil, parte inferior plana rectangular diseño ahorra espacio y no necesita soportes o cunas para soporte. El tanque viene provisto de un tapón de llenado ventilados de sobretensiones de 8" y moldeado en calibraciones.

| Modelo: | Gal. | Long. | Anch. | Alt. | Tapa |
|---------|------|-------|-------|------|------|
| T5191A | 45 | 37" | 18" | 18" | 5" |
| T9620R | 50 | 38" | 26" | 13" | 8" |
| T5192A | 50 | 38" | 19" | 20" | 8" |
| T5245A | 100 | 43" | 27" | 26" | 8" |
| T9640R | 110 | 38" | 16" | 26" | 8" |
| T9640A | 110 | 48" | 35" | 17" | 5" |
| T5252A | 150 | 48" | 36" | 25" | 8" |
| T9680R | 300 | 62" | 42" | 29" | 8" |

Cuencas de Contención de Polietileno



| Modelo: | Gal. | Long. | Anch. | Dia. | Alto |
|---------|------|-------|-------|------|------|
| T6082D | 90 | | | 44" | |
| T6084A | 110 | 55" | 31" | | 25" |
| T6088D | 110 | 72" | 36" | | 12" |
| T6090A | 150 | 75" | 31" | | 25" |
| T6092D | 175 | 48" | 48" | | 18" |
| T6096D | 240 | 48" | 65" | | 18" |
| T6103AG | 320 | | | 72" | 24" |
| T6104D | 350 | 68" | 68" | | 18" |
| T6108D | 400 | | | 78" | 23" |
| T6112D | 450 | | | 70" | 30" |
| T6091A | 610 | 96" | 24" | | |
| T6116C | 675 | | | 66" | 46" |
| T6117C | 675 | | | 82" | 30" |
| T6124D | 690 | 106" | 58" | | 26" |
| T6125P | 700 | | | 96" | 72" |
| T6128A | 1150 | 73" | 73" | | 66" |
| T6128CB | 950 | | | 86" | 38" |
| T6132C | 1000 | | | 84" | 46" |
| T6139A | 1200 | | | 86" | 56" |
| T6140A | 1650 | 84" | 84" | | 60" |
| T6164NG | 2000 | | | 139" | 36" |
| T6168CB | 2075 | 96" | 96" | | 62" |
| T6169A | 2200 | | | 90" | 83" |
| T6170N | 2800 | | | 102" | 104" |
| T6172P | 3350 | | | 144" | 50" |
| T6176T | 3500 | 218" | 108" | | 40" |
| T6161A | 2075 | 96" | 96" | | 62" |

Tanques de Cono Inferior

Mini-Bulk

Estos tanques de polietileno cuentan con bases que permiten apilar hasta tres alta cargada. Carretilla elevadora bolsillos están contruidos para fácil carga y descarga. Dos tanques de tamaño tienen 6" tapas de llenado y descarga inferior.



| Modelo: | Gal. | Dia. | Alto |
|---------|------|------|------|
| T2026R | 110 | 44" | 34" |
| T2038R | 220 | 44" | 50" |



Tanques de Especialidad

Tanques de Especialidad



| Modelo: | Tipo | Gal. | Long. | Anc. | Alt. | Tapa |
|---------|-------------|------|-------|------|------|------|
| T9680A | Dock Float | | 48" | 24" | 12" | |
| T9687N | Free Stand | 300 | 48" | 29" | 62" | 16" |
| T9689A | Free Stand | 250 | 62" | 29" | 42" | 16" |
| T9690A | Free Stand | 400 | 62" | 29" | 66" | 16" |
| T9890N | Low Profile | 1250 | 130" | 81" | 38" | 16" |
| T9891N | Low Profile | 1500 | 130" | 81" | 44" | 16" |
| T9700N | Horiz. Box | 2400 | 150" | 90" | 53" | 16" |
| T5174A | Total Drain | 35 | 28" | 19" | 20" | 5" |
| T5198A | Total Drain | 56 | 38" | 20" | 26" | 5" |

Tanques de Drenaje Total



| Modelo: | Gal. | Long. | Anc. | Alto | Tapa |
|----------|------|-------|------|------|------|
| T5025ATD | 2.5 | 7" | 15" | 14" | 5" |
| T5027A | 4 | 11" | 11" | 15" | 5" |
| T5028A | 5 | 11" | 11" | 20" | 5" |
| T5042A | 10 | 13" | 13" | 21" | 5" |
| T5174A | 35 | 28" | 19" | 20" | 5" |
| T5198A | 56 | 38" | 20" | 26" | 5" |



Tanques por de Bajo de la Tierra

Nuestros tanques que va por debajo de la tierra cisternas, cuentan con el mismo diseño fuerte o, estraído encontrado en nuestros tanques sépticos. Cisternas son ideales para casos en que el agua potable debe ser acarreados en, o cuando un pozo sólo no satisface las necesidades de consumo. Las guarniciones del tabique hermético están disponibles en tamaños para ayudar a adaptarse a la cisterna para adaptarse a necesidades específicas o aplicaciones y gama completa.

| Modelo: | Gal. | Long. | Anc. | Alt. | Tapa |
|---------|------|--------|------|------|------|
| T6046N | 325 | Sphere | 54" | 51" | 20" |
| T6048N | 600 | 101" | 51" | 42" | 20" |
| T6052N | 1200 | 102" | 60" | 58" | 20" |
| T6058N | 1700 | 135" | 55" | 66" | 20" |
| T6059N | 2500 | 158" | 98" | 53" | 20" |

Tanques Séptico

Para remplazos de sistema septico y construcción de viviendas nuevas, tanques sépticos de polietileno están diseñados para durabilidad y fácil instalación rápida. Cualquier tanque séptico puede ser transportado al trabajo en una camioneta y llevado por dos hombres. Contratistas pueden recoger el tanque, tubos y accesorios en un solo viaje e instalar tanque en el horario porque no hay que esperar a que entreguen el tanque. Porque nuestros tanques sépticos de polietileno son rotomoldeados, sin costuras y firmemente son juntas para que el agua no se escape.

| Modelo: | Gal. | Long. | Anc. | Alt. |
|---------|------|--------|------|------|
| T6020N | 300 | Esfera | 54" | 51" |
| T6026N | 500 | 101" | 51" | 42" |
| T6036N | 1000 | 102" | 60" | 58" |
| T6044N | 1500 | 133" | 55" | 66" |



Tanques de Camioneta

| Modelo: | Gal. | Dia. | Alt | Tapa |
|---------|------|---------|-----|------|
| T0904N | 210 | 60"/51" | 28" | 8" |
| T0908N | 325 | 62" | 32" | 8" |
| T6036N | 425 | 65" | 37" | 8" |



Tanques de Especialidad

Tanques Cilindricos de Tapa Abiertos



| Modelo: | Gal. | Dia. | Alt. | #Cabierta |
|---------|------|------|------|-----------|
| T60199C | 7 | 10" | 21" | T60199CA |
| T60240C | 15 | 15" | 19" | T60240CA |
| T60260C | 17 | 18" | 15" | T60260CA |
| T60280C | 30 | 18" | 29" | T60280CA |
| T60320C | 36 | 15" | 48" | T60320CA |
| T60360C | 55 | 23" | 34" | T60360CA |
| T60400C | 70 | 24" | 36" | T60400CA |
| T60440C | 90 | 24" | 48" | T60440CA |
| T60480C | 100 | 28" | 42" | T60480CA |
| T60561C | 125 | 36" | 30" | T60561CA |
| T60600C | 150 | 31" | 48" | T60600CA |
| T60680C | 210 | 36" | 48" | T60680CA |
| T60720C | 275 | 42" | 48" | T60720CA |
| T60500C | 330 | 45" | 48" | T60500CA |
| T60520C | 360 | 48" | 48" | T60520CA |
| T60530C | 500 | 52" | 60" | T60530CA |
| T60540C | 600 | 48" | 84" | T60540CA |
| T60560C | 1200 | 69" | 84" | T60560CA |



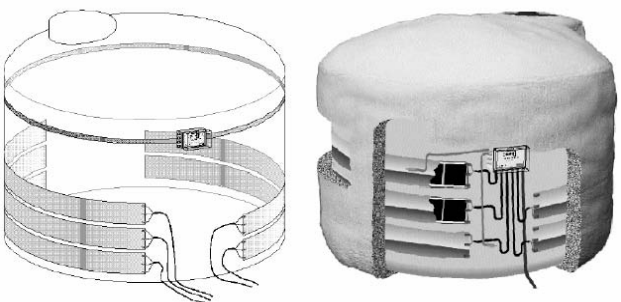
Completa del cono inferior mezcla de tanques base de acero para soporte. Soportes de mezclador y mezclador de 115V con eje de acero inoxidable 316 y la hélice.

El tanque cuenta con un montaje de la tapa y salida de drenaje completo. El soporte permite 16" de espauo la parte inferior de la salida del tanque a la planta. Nuestro mezclador de 115V es estándar con un motor eléctrico de 1/3HP, interruptor On-off, 8" electrico cable con enchufe, eje de acero inoxidable 316 y 4" del impulsor.

| Modelo: | Gal. | Dia. | Alt. |
|---------|------|------|------|
| Mix35 | 35 | 26" | 43" |
| Mix55 | 55 | 26" | 55" |
| Mix100 | 100 | 22" | 60" |
| Mix147 | 147 | 33" | 69" |
| Mix250 | 250 | 44" | 56" |
| Mix500 | 500 | 55" | 80" |

| Modelo: | Gal. | Dia. | Alt. |
|---------|------|------|------|
| T2008N | 35 | 23" | 27" |
| T2530C | 55 | 22" | 36" |
| T2540C | 100 | 30" | 36" |
| T2550U | 147 | 31" | 53" |
| T2560C | 250 | 42" | 46" |
| T2570C | 500 | 52" | 64" |

| Modelo: | Gal. |
|---------|------|
| ST6309 | 35 |
| ST6580 | 55 |
| ST6582 | 100 |
| ST6584 | 147 |
| ST6588 | 250 |
| ST6590 | 500 |



Mantenga los liquidos a temperaturas normales este invierno. Los paneles del seguimiento personalizado para el calor pueden instalarse a los tanques de prácticamente cualquier tamaño. Capa de masilla de latex se aplica a la superficie del tanque externo para alcanzar el valor correcto "R"

Llame hoy para precios y disponibilidad.



Bandas de Tanques Horizontales

| Modelo: | Tanque | Req. | Anc. | Alt. |
|---------|--------|------|--------|--------|
| ST6010 | 35 | 2 | 19" | 19" |
| ST6020 | 65 | 2 | 22.25" | 22.25" |
| ST6030 | 125 | 2 | 31.25" | 31.25" |
| ST6040 | 225 | 2 | 36.75" | 36.75" |
| ST6040 | 325 | 2 | 36.75" | 36.75" |
| ST6210 | 425 | 2 | 47.50" | 47.50" |
| ST6210 | 525 | 2 | 47.50" | 47.50" |
| ST6010 | 725 | 3 | 47.50" | 47.50" |
| ST6130 | 1035E | 3 | 77" | 48" |
| ST6210 | 1025 | 4 | 47.50" | 47.50" |
| ST6222 | 1325 | 3 | 64" | 65" |
| ST6300 | 1625 | 4 | 60.75" | 60.75" |
| ST6260 | 1635E | 4 | 68" | 51" |
| ST6303 | 2035E | 4 | 82" | 49" |
| ST6301 | 2635E | 4 | 87.50" | 65.25" |
| ST6301A | 3135E | 4 | 85.50" | 74" |
| ST6301B | 4035E | 4 | 89" | 75" |
| ST6301C | 5025 | 5 | 89.50" | 90" |

Bases Para Tanques Horizontales

| Modelo: | Tanque | Long. | Anc.. |
|---------|--------|-------|--------|
| ST6080 | 35 | | |
| ST6085 | 65 | | |
| ST6090 | 125 | | |
| ST6095 | 225 | | |
| ST6100 | 325 | 64" | 42.75" |
| ST6110 | 525 | 67" | 53.75" |
| ST6120 | 725 | 96" | 53.25" |
| ST6140 | 1035E | 83" | 83.75" |
| ST6200 | 1025 | 133" | 53.75" |
| ST6233 | 1325 | 99" | 66" |
| ST6241 | 2035E | 142" | 84" |
| ST6250 | 2635E | 140" | 92" |

Tanques Elipticos en una Cuna

| Modelo: | Size | Base | Dim | # Bandas |
|---------|------|------|-----|----------|
| ST6603 | 200 | 24" | 57" | 2 |
| ST6605 | 300 | 34" | 54" | 2 |
| ST6610 | 500 | 34" | 68" | 3 |
| ST6615 | 750 | 38" | 78" | 3 |
| ST6620 | 1000 | 46" | 72" | 3 |

Soportes del Fondo del Cono

| Modelo: | Fits Tank | Dia. | Clearance |
|----------|-------------|------|-----------|
| ST6308 | 15 | | |
| ST6309 | 35 | | |
| ST6309B | 60 | | |
| ST6309AS | 30 & 60 | | |
| ST6309C | 85 & 110 | 96" | 11" |
| ST6309A | 1000 & 1490 | | |
| ST6310 | 2500 & 3000 | 96" | 11" |
| ST6315 | 5500 | 120" | 12" |
| ST6317 | 6000 | 102" | 12" |
| ST6318 | 7500 | 142" | 0" |
| ST6311A | 150 | 36" | 12" |
| ST6314A | 4900 | 102" | 11" |
| ST6317A | 6000 | 102" | 12" |





Tanques/Válvulas

Accesorios y Tanques de Fibra



Tanques Pesados Fiberglass

- Terminación blanca • Completo con tapa y borde
- Resinas de grado superior • Los pernos de montaje de 3/8"

| Modelo: | Gal | Espec | Dim | Abertura |
|----------|-----|---------------|--------------|--------------|
| T9048T | 35 | Standard | 28 x 23 x 21 | 8" Lid |
| T9054FRP | 50 | Standard | 39 x 23 x 21 | 8" Lid |
| T9062FRP | 100 | Standard | 39 x 33 x 23 | 16" Lid |
| T9072T | 100 | Drop Tank | 67 x 20 x 20 | 12" Lid |
| T9100FRP | 200 | Standard | 62 x 39 x 30 | 16" Lid |
| T9095T | 200 | Drop Tank | 85 x 28 x 22 | 16" Lid |
| T9110T | 300 | Standard | 62 x 39 x 34 | 16" Lid |
| T9068T | 100 | 50/50 Split | 39 x 33 x 23 | 2 - 8" Lids |
| T9088J | 200 | 100/100 Split | 62 x 39 x 30 | 2 - 16" Lids |
| T9119J | 300 | 200/100 Split | 62 x 39 x 34 | 2 - 16" Lids |



Tanque a Granel Accesorios de Cabeza

| Modelo: | Tamaño: | Modelo: | Tamaño: |
|---------|---------|---------|---------|
| TA1199 | 1/2" | TA1205 | 1-1/2" |
| TA1200 | 3/4" | TA1206 | 2" |
| TA1201 | 1" | TA1209 | 3" |
| TA1203 | 1-1/4" | | |



4 Perno a Granel Cabeza Guarniciono

| Modelo: | Tamaño: | Modelo: | Tamaño: |
|---------|---------|------------------------|---------|
| TA3020 | 1" | BBF200BD | 2" |
| TA3030 | 1-1/2" | BBF300BD | 3" |
| TA3040 | 2" | (Bottom Drain Fitting) | |
| TA3050 | 3" | | |



Tanque de Rosca o Tapa

| Modelo: | Tamaño: | Espec: |
|---------|---------|----------------------|
| TL4000 | 5" | 5" Tapa Lid w/vent |
| TL4200 | 8" | 8" Tapa w/Vent & Rim |
| TL6015 | 10" | 10" Tapa w/Vent |
| TL6016 | 10" | 10" Rim Only |



Tapas de Rosca Tanque

| Modelo: | Tamaño: | Espec: |
|---------|---------|-----------------------|
| TL5527 | 12" | 12" Tapa w/Vent & Rim |
| TL4700 | 16" | 16" Tapa w/Vent & Rim |
| TL5025 | 4" | 4" Center Vent Cap |



Cestas de Filtro para Tanques

| Modelo: | Tamaño: | Espec: |
|---------|---------|---------------------|
| TL3050 | 8" | 8" Strainer Basket |
| TL3052 | 10" | 10" Strainer Basket |
| TL3051 | 16" | 16" Strainer Basket |



Montaje de Cerradura Tapa Inoxidable

| Modelo: | Tamaño: | Espec: |
|------------|---------|-------------------|
| CCILIDLOCK | 16" | 16" Locking Assy. |

Válvulas



Válvulas de bola de Rosca PVC Sch 80

| Modelo: | Tamaño: | Modelo: | Tamaño: |
|---------|---------|---------|---------|
| V130 | 1/2" | V134 | 1-1/2" |
| V131 | 3/4" | V135 | 2" |
| V132 | 1" | | |
| V133 | 1-1/4" | | |

• 235 PSI WOG



Válvulas de Bola de Latón (600 PSI WOG)

| Modelo: | Size: | Modelo: | Tamaño: |
|---------|-------|---------|---------|
| V158 | 1/4" | V162 | 1" |
| V159 | 3/8" | V164 | 1-1/4" |
| V160 | 1/2" | V162A | 1-1/2" |
| V161 | 3/4" | V163 | 2" |



Banjo Unica Válvula de Bola

| Modelo: | Tamaño: | Modelo: | Tamaño: |
|----------|---------|----------|---------|
| BUV050FP | 1/2" | BUV150FP | 1-1/2" |
| BUV075FP | 3/4" | BUV200FP | 2" |
| BUV100FP | 1" | | |
| BUV125FP | 1-1/4" | | |

• 100 PSI WOG



Válvulas de Bola de Tornillo Banjo 100 PSI

| Modelo: | Tamaño: | Modelo: | Tamaño: |
|---------|---------|---------|--------------|
| BV050 | 1/2" | BV150 | 1-1/2" |
| BV075 | 3/4" | BV200 | 2" |
| BV100 | 1" | BV200FP | 2" Full Port |
| BV125 | 1-1/4" | BV300FP | 3" Full Port |



Válvulas de Bola de Acero Inoxidable 316 (1000 PSI)

| Modelo: | Tamaño: | Modelo: | Tamaño: |
|---------|---------|---------|---------|
| V332 | 1/2" | V336 | 1-1/2" |
| V333N | 3/4" | V337 | 2" |
| V334 | 1" | | |
| V335 | 1-1/4" | | |



Forma de Banjo 3 válvula de bola 100 PSI

| Modelo: | Tamaño: |
|---------|---------|
| BV075SL | 3/4" |
| BV100SL | 1" |
| BV150SL | 1-1/2" |
| BV200SL | 2" |



Pezón

| Modelo: | Tamaño: |
|---------|-----------------|
| F4001A | 1/8" X CLS |
| F4000 | 3/8" X CLS |
| F4001 | 1/4" X CLS |
| F4002 | 1/4" X 2 1/2" |
| F4002A | 1/4" X 3" |
| F4002B | 1/4" X 4" |
| F4002C | 1/4" X 6" |
| F4003 | 1/2" X CLS |
| F4003D | 1/2" X 2" |
| F4003A | 1/2" X 3" |
| F4003B | 1/2" X 4" |
| F4003C | 1/2" X 6" |
| F4004 | 3/4" X CLS |
| F4004A | 3/4" X 2" |
| F4004B | 3/4" X 3" |
| F4004C | 3/4" X 4" |
| F4004D | 3/4" X 6" |
| F4004H | 3/4" X 10" |
| F4004I | 3/4" X 16" |
| F4005 | 1" X CLS |
| F4005A | 1" X 2" |
| F4006B | 1" X 3" |
| F4006 | 1" X 4" |
| F4006C | 1" X 6" |
| F4006D | 1" X 8" |
| F4006G | 1" X 10" |
| F4006E | 1" X 11" |
| F4006A | 1" X 12" |
| F4007 | 1 1/4" X CLS |
| F4007A | 1 1/4" X 2" |
| F4007B | 1 1/4" X 3" |
| F4007C | 1 1/4" X 4" |
| F4007D | 1 1/4" X 6" |
| F4007E | 1 1/4" X 8" |
| F4007F | 1 1/4" X 10" |
| F4009 | 1 1/2" X CLS |
| F4010 | 1 1/2" X 2" |
| F4009A | 1 1/2" X 2 1/2" |
| F4010C | 1 1/2" X 4" |
| F4011 | 2" X CLS |
| F4011A | 2" X 4" |
| F4011B | 2" X 6" |
| F4011C | 2" X 8" |
| F4011D | 2" X 10" |
| F4011H | 2" X 24" |
| F4012 | 3" X CLS |
| F4012C | 3" X 6" |



Pezón Rey

| Modelo: | Tamaño: |
|---------|---------|
| F4014 | 1/4" |
| F4014A | 3/8" |
| F4015 | 1/2" |
| F4016 | 3/4" |
| F4017 | 1" |
| F4018 | 1 1/4" |
| F4019 | 1 1/2" |
| F4020 | 2" |
| F4022 | 3" |



Acoplamiento

| Modelo: | Tamaño: |
|---------|---------|
| F4022D | 1/8" |
| F4023A | 1/4" |
| F4023 | 3/8" |
| F4025 | 1/2" |
| F4026 | 3/4" |
| F4027 | 1" |
| F4028 | 1 1/4" |
| F4029 | 1 1/2" |
| F4030 | 2" |
| F4032 | 3" |
| F4032B | 4" |



Codo Calle

| Modelo: | Tamaño: |
|---------|---------|
| F4060 | 1/4" |
| F4060A | 3/8" |
| F4061 | 1/2" |
| F4062 | 3/4" |
| F4063 | 1" |
| F4064 | 1 1/4" |
| F4065 | 1 1/2" |
| F4066 | 2" |
| F4068 | 3" |



Tees

| Modelo: | Tamaño: |
|---------|---------|
| F4050 | 1/4" |
| F4050A | 3/8" |
| F4051 | 1/2" |
| F4052 | 3/4" |
| F4053 | 1" |
| F4054 | 1 1/4" |
| F4055 | 1 1/2" |
| F4056 | 2" |
| F4056A | 3" |



Codo de 90 Grados

| Modelo: | Tamaño: |
|---------|---------|
| F4033A | 1/8" |
| F4033 | 1/4" |
| F4034 | 3/8" |
| F4035 | 1/2" |
| F4036 | 3/4" |
| F4037 | 1" |
| F4038 | 1 1/4" |
| F4039 | 1 1/2" |
| F4040 | 2" |
| F4040B | 3" |



Enchufe

| Modelo: | Tamaño: |
|---------|---------|
| F4089 | 1/8" |
| F4090 | 1/4" |
| F4090A | 3/8" |
| F4091 | 1/2" |
| F4092 | 3/4" |
| F4093 | 1" |
| F4094 | 1 1/4" |
| F4095 | 1 1/2" |
| F4096 | 2" |
| F4096A | 3" |



Buje Reductor

| Modelo: | Tamaño: |
|---------|---------------|
| F4073 | 1/4" X 1/8" |
| F4075 | 3/8" X 1/8" |
| F4072 | 3/8" X 1/4" |
| F4074 | 1/2" X 1/8" |
| F4071 | 1/4" X 1/2" |
| F4070 | 1/2" X 3/8" |
| F4077 | 3/4" X 1/4" |
| F4075A | 3/4" X 3/8" |
| F4076 | 3/4" X 1/2" |
| F4079A | 1" X 1 1/4" |
| F4079B | 1" X 3/8" |
| F4080 | 1" X 1/2" |
| F4078 | 1" X 3/4" |
| F4079 | 1 1/4" X 3/4" |
| F4080A | 1 1/4" X 1" |
| F4082C | 1 1/2" X 1/4" |
| F4082B | 1 1/2" X 3/4" |
| F4082 | 1 1/2" X 1" |
| F4083 | 1 1/2" X 1" |
| F4081A | 2" X 1/2" |
| F4081 | 2" X 3/4" |
| F4085 | 2" X 1" |
| F4084A | 2" X 1 1/4" |
| F4084 | 2" X 1 1/2" |
| F4086 | 3" X 2" |



Codo de 45 Grados

| Modelo: | Tamaño: |
|---------|---------|
| F4041A | 1/4" |
| F4041 | 1/2" |
| F4042 | 3/4" |
| F4043 | 1" |
| F4044 | 1 1/4" |
| F4045 | 1 1/2" |
| F4046 | 2" |
| F4022 | 3" |



Cruz

| Modelo: | Tamaño: |
|---------|---------|
| F4058 | 1/4" |
| F4058A | 1/2" |
| F4059A | 3/4" |
| F4059 | 1" |
| F4059C | 1 1/2" |
| F4057 | 2" |



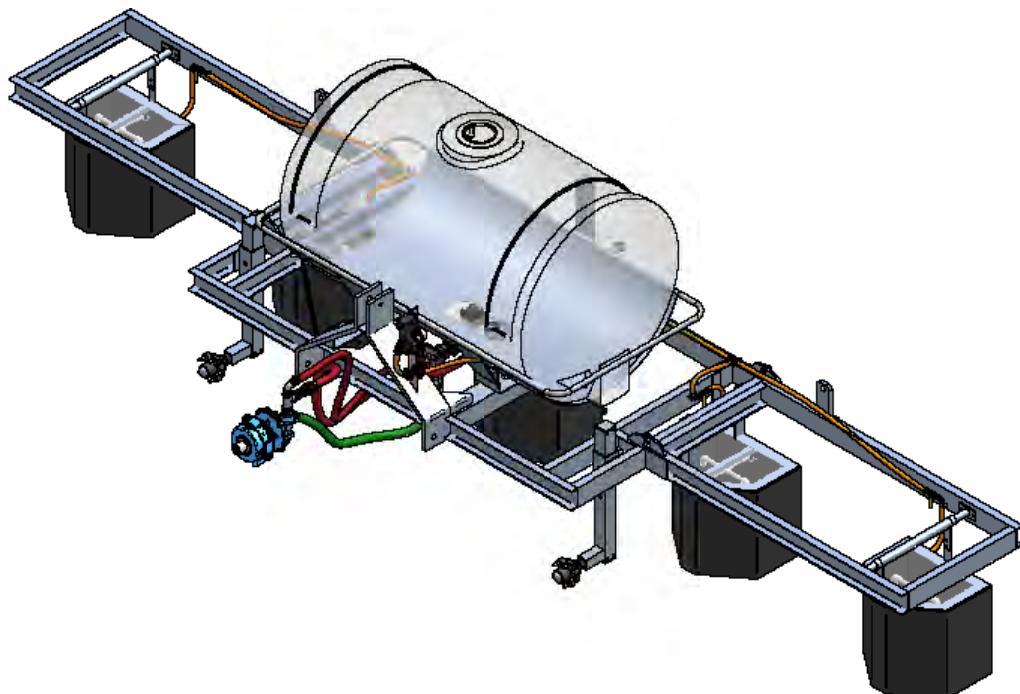
Tapón

| Model: | Tamaño: |
|--------|---------|
| F4097A | 1/2" |
| F4097 | 3/4" |
| F4097B | 1" |
| F4097C | 1 1/4" |
| F4097D | 1 1/2" |
| F4098 | 2" |



Unión

| Model: | Tamaño: |
|--------|---------|
| F4099D | 3/4" |
| F5000 | 1" |
| F4099A | 1 1/4" |
| F5001 | 1 1/2" |
| F4099 | 2" |





Pezon

| Modelo: | Tamaño: |
|------------|----------------|
| BNIP038-SH | 3/8" X Corto |
| BNIP050-SH | 1/2" X Corto |
| BNIP050-3 | 1/2" X 3" |
| BNIP075-SH | 3/4" X Corto |
| BNIP075-4 | 3/4" X 4" |
| BNIP075-6 | 3/4" X 6" |
| BNIP100-SH | 1" X Corto |
| BNIP100-4 | 1" X 4" |
| BNIP100-6 | 1" X 6" |
| BNIP125-SH | 1 1/4" X Corto |
| BNIP125-4 | 1 1/4" X 4" |
| BNIP125-6 | 1 1/4" X 6" |
| BNIP150-SH | 1 1/2" X Corto |
| BNIP150-3 | 1 1/2" X 3" |
| BNIP150-4 | 1 1/2" X 4" |
| BNIP150-5 | 1 1/2" X 5" |
| BNIP150-6 | 1 1/2" X 6" |
| BNIP200-SH | 2" X Corto |
| BNIP200-4 | 2" X 4" |
| BNIP200-6 | 2" X 6" |
| BNIP300-SH | 3" X Corto |
| BNIP300-4 | 3" X 4" |
| BNIP300-6 | 3" X 6" |
| BNIP400-SH | 4" X Corto |



Reductor de Pezon

| Modelo: | Tamaño: |
|------------|-----------------|
| BRN050-038 | 1/2" X 3/8" |
| BRN075-050 | 3/4" X 1/2" |
| BRN100-050 | 1" X 1/2" |
| BRN100-075 | 1" X 3/4" |
| BRN125-075 | 1 1/4" X 3/4" |
| BRN125-100 | 1 1/4" X 1" |
| BRN150-100 | 1 1/2" X 1" |
| BRN150-125 | 1 1/2" X 1 1/4" |
| BRN200-125 | 2" X 1 1/4" |
| BRN200-150 | 2" X 1 1/2" |
| BRN300-200 | 3" X 2" |



Manguera Puas-Recto

(Note: La primera dimension es rosca NPT y el segundo es el tamaño de la manguera)

| Modelo: | Tamaño: |
|------------|-----------------|
| BHB025 | 1/4" X 1/4" |
| BHB025/038 | 1/4" X 3/8" |
| BHB038 | 3/8" X 3/8" |
| BHB038/050 | 3/8" X 1/2" |
| BHB050/038 | 1/2" X 3/8" |
| BHB050 | 1/2" X 1/2" |
| BHB050/075 | 1/2" X 3/4" |
| BHB075/038 | 3/4" X 3/8" |
| BHB075/050 | 3/4" X 1/2" |
| BHB075/058 | 3/4" X 5/8" |
| BHB075 | 3/4" X 3/4" |
| BHB075/100 | 3/4" X 1" |
| BHB100/075 | 1" X 3/4" |
| BHB100 | 1" X 1" |
| BHB100/125 | 1" X 1 1/4" |
| BHB125/075 | 1 1/4" X 3/4" |
| BHB125/100 | 1 1/4" X 1" |
| BHB125 | 1 1/4" X 1 1/4" |
| BHB125/150 | 1 1/4" X 1 1/2" |
| BHB150/100 | 1 1/2" X 1" |
| BHB150/125 | 1 1/2" X 1 1/4" |
| BHB150 | 1 1/2" X 1 1/2" |
| BHB150/200 | 1 1/2" X 2" |
| BHB200/150 | 2" X 1 1/2" |
| BHB200 | 2" X 2" |
| BHB300 | 3" X 3" |
| BHB400 | 4" X 4" |



Cruz

| Modelo: | Tamaño: |
|---------|---------|
| BCR075 | 3/4" |
| BCR100 | 1" |
| BCR125 | 1 1/4" |
| BCR150 | 1 1/2" |
| BCR200 | 2" |



Acoplamiento

| Modelo: | Tamaño: |
|----------|---------|
| BCPLG038 | 3/8" |
| BCPLG050 | 1/2" |
| BCPLG075 | 3/4" |
| BCPLG100 | 1" |
| BCPLG125 | 1 1/4" |
| BCPLG150 | 1 1/2" |
| BCPLG200 | 2" |
| BCPLG300 | 3" |



Tapon de Tubo

| Modelo: | Tamaño: |
|----------|---------|
| BPLUG050 | 1/2" |
| BPLUG075 | 3/4" |
| BPLUG100 | 1" |
| BPLUG125 | 1 1/4" |
| BPLUG150 | 1 1/2" |
| BPLUG200 | 2" |
| BPLUG300 | 3" |



Reductor de Acoplamiento

| Modelo: | Tamaño: |
|------------|-----------------|
| BRC100-075 | 1" X 3/4" |
| BRC150-100 | 1 1/2" X 1" |
| BRC150-125 | 1 1/2" X 1 1/4" |
| BRC200-100 | 2" X 1" |
| BRC200-125 | 2" X 1 1/4" |
| BRC200-150 | 2" X 1 1/2" |
| BRC300-200 | 3" X 2" |



Manguera Barb-90 grados

(Note: La primera dimension es rosca NPT y el segundo es el tamaño de la manguera)

| Modelo: | Tamaño: |
|----------------|-----------------|
| BHB-025-90 | 1/4" X 1/4" |
| BHB-038-90 | 3/8" X 3/8" |
| BHB-050/038-90 | 1/2" X 3/8" |
| BHB-050-90 | 1/2" X 1/2" |
| BHB-050/075-90 | 1/2" X 3/4" |
| BHB-075/050-90 | 3/4" X 1/2" |
| BHB-075-90 | 3/4" X 3/4" |
| BHB-075/100-90 | 3/4" X 1" |
| BHB-100/075-90 | 1" X 3/4" |
| BHB-100-90 | 1" X 1" |
| BHB-100/125-90 | 1" X 1 1/4" |
| BHB-125/100-90 | 1 1/4" X 1" |
| BHB-125-90 | 1 1/4" X 1 1/4" |
| BHB-150-90 | 1 1/2" X 1 1/2" |
| BHB-200-90 | 2" X 2" |
| BHB-300-90 | 3" X 3" |



Manguera Tee Barb

| Modelo: | Tamaño: |
|-------------|--------------------|
| BHT-050-038 | 1/2" X 1/2" X 3/8" |
| BHT-050-075 | 1/2" X 1/2" X 3/4" |
| BHT-075-050 | 3/4" X 3/4" X 1/2" |
| BHT-075 | 3/4" |
| BHT-100-075 | 1" X 1" X 3/4" |
| BHT-100 | 1" |



Codo Calle 90 grados

| Modelo: | Tamaño: |
|-----------|---------|
| BSL038-90 | 3/8" |
| BSL050-90 | 1/2" |
| BSL075-90 | 3/4" |
| BSL100-90 | 1" |
| BSL125-90 | 1 1/4" |
| BSL150-90 | 1 1/2" |
| BSL200-90 | 2" |
| BSL300-90 | 3" |



Buje Reductor

| Modelo: | Tamaño: |
|------------|-----------------|
| BRB038-025 | 3/8" X 1/4" |
| BRB050-025 | 1/2" X 1/4" |
| BRB050-038 | 1/2" X 3/8" |
| BRB075-018 | 3/4" X 1/8" |
| BRB075-025 | 3/4" X 1/4" |
| BRB075-038 | 3/4" X 3/8" |
| BRB075-050 | 3/4" X 1/2" |
| BRB100-018 | 1" X 1/8" |
| BRB100-025 | 1" X 1/4" |
| BRB100-050 | 1" X 1/2" |
| BRB100-075 | 1" X 3/4" |
| BRB125-075 | 1 1/4" X 3/4" |
| BRB125-100 | 1 1/4" X 1" |
| BRB150-075 | 1 1/2" X 3/4" |
| BRB150-100 | 1 1/2" X 1" |
| BRB150-125 | 1 1/2" X 1 1/4" |
| BRB200-075 | 2" X 3/4" |
| BRB200-100 | 2" X 1" |
| BRB200-125 | 2" X 1 1/4" |
| BRB200-150 | 2" X 1 1/2" |
| BRB300-150 | 3" X 1 1/2" |
| BRB300-200 | 3" X 2" |



Garfio para Manguera Barb para Manguera

| Modelo: | Tamaño: |
|---------|-----------------|
| BHM050 | 1/2" X 1/2" |
| BHM075 | 3/4" X 3/4" |
| BHM100 | 1" X 1" |
| BHM125 | 1 1/4" X 1 1/4" |
| BHM150 | 1 1/2" X 1 1/2" |
| BHM200 | 2" X 2" |
| BHM300 | 3" X 3" |



Tubo Codo 90 Grados

| Modelo: | Tamaño: |
|-----------|---------|
| BEL050-90 | 1/2" |
| BEL075-90 | 3/4" |
| BEL100-90 | 1" |
| BEL125-90 | 1 1/4" |
| BEL150-90 | 1 1/2" |
| BEL200-90 | 2" |
| BEL300-90 | 3" |



Tubo Tapa

| Modelo: | Tamaño: |
|---------|---------|
| BCAP075 | 3/4" |
| BCAP100 | 1" |
| BCAP150 | 1 1/2" |
| BCAP200 | 2" |
| BCAP300 | 3" |



Tubo Tee

| Modelo: | Tamaño: |
|---------|---------|
| BTEE038 | 3/8" |
| BTEE050 | 1/2" |
| BTEE075 | 3/4" |
| BTEE100 | 1" |
| BTEE125 | 1 1/4" |
| BTEE150 | 1 1/2" |
| BTEE200 | 2" |
| BTEE300 | 3" |



Manguera Barb 90 Grados

| Modelo: | Tamaño: |
|--------------|---------|
| BHBEL-100-90 | 1" |



Conexiones Múltiples

Abrazadores del Reborde



| Modelo: | Tamaño: |
|---------|---------|
| BFC100 | 1" FP |
| BFC200 | 2" SP |
| BFC220 | 2" FP |
| BFC300 | 3" FP |

Brida x 90 Manguera Codo Barb



| Modelo: | Tamaño: |
|------------|---------|
| BM100BRB90 | 1" |
| BM200BRB90 | 2" SP |
| BM220BRB90 | 2" FP |
| BM300BRB90 | 3" |

Juntas del Reborde



| Modelo: | Tamaño: |
|---------|---------|
| B100G | 1" |
| B150G | 2" SP |
| B200G | 2" FP |
| B300G | 3" FP |

Manguera Brida



| Modelo: | Tamaño: |
|----------|---------|
| BM100BRB | 1" |
| BM200BRB | 2" SP |
| BM220BRB | 2" FP |
| BM300BRB | 3" |

Válvulas de Retención con Bridas Poly



| Modelo: | Tamaño: |
|---------|---------|
| BMCV100 | 1" |
| BMCV200 | 2" |
| BMCV220 | 2" FP |

Brida de la Cruz



| Modelo: | Tamaño: |
|---------|---------|
| BM100CR | 1" |
| BM200CR | 2" SP |
| BM220CR | 2" FP |
| BM300CR | 3" |

Brida X Rosca Macho NPT



| Modelo: | Tamaño: |
|----------|---------|
| BM100MPT | 1" |
| BM200MPT | 2" SP |
| BM220MPT | 2" FP |
| BM300MPT | 3" |

90 Gr. Con Brida Acopolamiento



| Modelo: | Tamaño: |
|------------|---------|
| BM100CPG90 | 1" |
| BM200CPG90 | 2" SP |
| BM220CPG90 | 2" FP |
| BM300CPG90 | 3" |

Brida X Rosca Hembra NPT



| Modelo: | Tamaño: |
|----------|---------|
| BM100FPT | 1" |
| BM200FPT | 2" SP |
| BM220FPT | 2" FP |
| BM300FPT | 3" |

2" Completo Puerto Válvula Stubby



| Modelo: | Tamaño: |
|-----------|---------|
| BMVS220CF | 2" FP |

Tee Bridada



| Modelo: | Tamaño: |
|----------|---------|
| BM100TEE | 1" |
| BM200TEE | 2" SP |
| BM220TEE | 2" FP |
| BM300TEE | 3" |

4 y Perno 6 Válvulas



| Modelo: | Tamaño: |
|----------|---------|
| BMV100CF | 1" |
| BMV200CF | 2" SP |
| BMV220CF | 2" FP |
| BMV300CF | 3" FP |

Acoplamiento con Bridas



| Modelo: | Tamaño: |
|----------|---------|
| BM100CPG | 1" |
| BM200CPG | 2" SP |
| BM220CPG | 2" FP |
| BM300CPG | 3" |

Bridada Tee



| Modelo: | Tamaño: |
|------------|---------|
| BM100CPG45 | 1" |
| BM220CPG45 | 2" FP |
| BM300CPG45 | 3" |

Filtros de Línea



| Modelo: | Tamaño: |
|------------|---------|
| BMLS200-12 | 2" |
| BMLS222-16 | 2" FP |
| BMLS300-12 | 3" |

Brida X NPT Rosca Macho SS



| Modelo: | Tamaño: |
|------------|---------|
| BM220MPTSS | 2" FP |
| BM300MPTSS | 3" |



Acopladores de Manguera

Tipo "A" Tuberia Hembra x Macho Cam Lock

| | |
|-----------------|-----------------|
| Modelo: Tamaño: | Modelo: Tamaño: |
| B075A 3/4" | B200A 2" |
| B100A 1" | B300A 3" |
| B125A 1-1/4" | |
| B150A 1-1/2" | |

Tipo "B" Tube Macho x Cam Lock Hembra

| | |
|-----------------|-----------------|
| Modelo: Tamaño: | Modelo: Tamaño: |
| B075B 3/4" | B200B 2" |
| B100B 1" | B300B 3" |
| B125B 1-1/4" | |
| B150B 1-1/2" | |

Tipo "C" Manguera x Cam Lock Hembra

| | |
|-----------------|-----------------|
| Modelo: Tamaño: | Modelo: Tamaño: |
| B075C 3/4" | B200C 2" |
| B100C 1" | B300C 3" |
| B125C 1-1/4" | |
| B150C 1-1/2" | |

Tipo "D" Tubo Hembra x Hembra Cam Lock

| | |
|-----------------|-----------------|
| Modelo: Tamaño: | Modelo: Tamaño: |
| B075D 3/4" | B150D 1-1/2" |
| B100D 1" | B200D 2" |
| B125D 1-1/4" | B300D 3" |

Tipo "E" Manguera x Cam Lock Macho

| | |
|-----------------|-----------------|
| Modelo: Tamaño: | Modelo: Tamaño: |
| B075E 3/4" | B200E 2" |
| B100E 1" | B300E 3" |
| B125E 1-1/4" | |
| B150E 1-1/2" | |

Tipo "F" Tubo Macho x Cam Lock Macho

| | |
|-----------------|-----------------|
| Modelo: Tamaño: | Modelo: Tamaño: |
| B075F 3/4" | B200F 2" |
| B100F 1" | B300F 3" |
| B125F 1-1/4" | |
| B150F 1-1/2" | |

Cam Lock Macho Enchufe de Tipo "PL"

| | |
|-----------------|-----------------|
| Modelo: Tamaño: | Modelo: Tamaño: |
| B075PL 3/4" | B200PL 2" |
| B100PL 1" | B300PL 3" |
| B150PL 1-1/2" | |

Tipo "CAP" Tubo Macho x Cam Lock Macho

| | |
|-----------------|-----------------|
| Modelo: Tamaño: | Modelo: Tamaño: |
| B075CAP 3/4" | B200CAP 2" |
| B100CAP 1" | B300CAP 3" |
| B150CAP 1-1/2" | |

Tipo "90 A" Grado Tuberia Hembra x Ca, Lock Macho

| | |
|---------|----------------------|
| Modelo: | Tamaño: |
| N150A90 | 1-1/2" 90° A Coupler |
| N200A90 | 2" 90° A Coupler |

Tipo "90 C" Manguera x Cam Lock Hembra

| | |
|---------|----------------------|
| Modelo: | Tamaño: |
| N150C90 | 1-1/2" 90° C Coupler |
| N200C90 | 2" 90° C Coupler |

Tipo "90 Grados D" Tuberia Hembra x Hembra Cam Lock

| | |
|---------|----------------------|
| Modelo: | Tamaño: |
| N150D90 | 1-1/2" 90° D Coupler |
| N200D90 | 2" 90° D Coupler |

Tubo Macho Tipo "F 90" x Cam Lock Macho

| | |
|---------|----------------------|
| Modelo: | Tamaño: |
| N150F90 | 1-1/2" 90° F Coupler |
| N200F90 | 2" 90° F Coupler |

Desconectores Antiderrame Seco

Seguro para Desconectar seco Full Flow

| | |
|---------|-----------------------------|
| Modelo: | Tamaño: |
| BDB100 | 1" FPT Complete Coupler M/F |
| BDB100M | 1" FPT Male Coupler |
| BDB100F | 1" FPT Female Coupler |

Desconectora Banjo Seco Dry-Mate

| | |
|---------|------------------------------|
| Modelo: | Tamaño: |
| BDM150A | 1-1/2" Male Dry-Mate x FPT |
| BDM150D | 1-1/2" Female Dry-Mate x FPT |
| BDM200A | 2" Male Dry-Mate x FPT |
| BDM200D | 2" Female Dry-Mate x FPT |

Mochila y Pulverizadores de Punto

Pulverizadores Tiernos de Mochila y Patio

| | |
|----------|-------------------|
| Modelo: | |
| FSPS0010 | • Yard Tender |
| FSPS003 | • SP Systems SP1 |
| FSPS002 | • SPO-V Knap Sack |
| FSPS007 | • Estate Keeper |

Mochilas de Patio y Pulverizadores Tiernos

| | |
|---------------|----------------------|
| Modelo: | |
| FSPS1352 | • Yard Tender |
| FSPS010960001 | • Birchmeer Iris Pro |



Bombas Chímicas/Metros

Metros de Flujo



Badger Mag Metros

Modelo: Espec.
 DI2152KIT • 2" Metros con/reset
 • Teflon Liner



Medidor Sotera de Flujo Digital 2-20 GPM

Modelo: Espec.
 MS825 • Easy read LCD display
 • Cuerpo Polypropylene con Ryton chamber & chemical seal
 • 1" NPT Inlet and Outlet



Medidor de Flujo GPI digital (Inoxidable)

Modelo: Espec:
 M404 • Stainless 1" - .3 to 3 GPM
 M405 • Stainless 1" - 3 to 30 GPM
 M406 • Stainless 2" - 30 to 300 GPM



Medidores de Flujo a Granel (Aluminio)

Modelo: Espec:
 MS826A • Aluminio 1-1/2" Ports
 • 60 GPM Flow
 MS826C • Aluminio 2" Ports
 • 100 GPM Flow



Medidor de Flujo Magnetico Marca Banjo

Modelo: Espec:
 BMFM100 • 1" Magnetic Meter
 (Flanged) • Digital
 BFM100 • All Poly
 (Threaded) • 2-110 GPM Range



Medidor de Flujo Magnetico Marca Banjo

Modelo: Espec:
 BMFM220 • 2" Magnetic Meter
 (Flanged) • Digital
 BMFM220KIT • All Poly
 (Threaded) 2" • 30-300 GPM Range



Medidor de Flujo Digital de GPI (Nylon)

Modelo: Espec:
 M409 • Nylon 1" - .3 to 3 GPM
 M409A • Nylon 1" - 3 to 30 GPM
 M406A • PVC 2" - 30 to 300 GPM



Medidores de Flujo A Granel (Inoxidable)

Modelo: Espec:
 MS826B • Stainless 2" Ports
 • 100 GPM Flow

Bombas



Bombas de Trasiego de Diafragma Sotera

Modelo: Espec:
 MS415 12V • Bomba con/Manguera
 MS460 110V • Max: 13 GPM
 • 2" NPT Adaptador bung
 • Santoprene Diaphragms



Bombas de Transferencia Sotera Diafragma con Metros

MS421 12V • Pump / Hose / Meter
 MS461 110V • Max: 13GPM
 • 2" NP Adaptador bung
 • Santoprene Diaphragms



Sistemas Portátiles Sotera Chemtraveller

Modelo: Espec:
 MS435 12V • Bomba / Meter / Hoses & Storage Frame
 MS465 110V • 9' EPDM Transfer Hose
 • Model 825 digital flow meter



Motores de la Bomba 2" Kits de Soporte

80PUMPASS25P • 2" Poly, SS, Cast I.
 80PUMPASS25SS • 5 hp 3 ph Motors
 80PUMPASS25CI • Coupling Guard & Stand
 • Single Phase Option



Agitación Jet Educadores

Modelo: Espec:
 BX2MP • 3/4" Poly Eductor
 BX3MP • 1" Poly Eductor
 BX4MP • 1 1/2" Poly Eductor



Kits de Soporte del Motor de la Bomba 3"

80PUMPASS310P • 2" Poly, SS, Cast I.
 80PUMPASS310SS • 5 hp 3 ph motors
 80PUMPASS310CI • Coupling Guard & Stand



Bomba de Sumidero

Modelo: Espec:
 PM13YU75 • 1/2" HP SS w/Float
 PM13YU76 • 3/4" HP SS w/Float



Inyectores de Medición

P0003 • Dosage Rate .2% to 2%
 P0002A • Dosage Rate .2% to 1.6%
 P0000 • Dosage Rate 2% to 10%
 (Please call for application info.)



Sistemas de Llenar/Pre-Mezcla

Kits de Tanque Pre-Mezcla Químicas Mix-N-Fill



Tanques

| | |
|----------|---|
| 80110MNF | 110 Gallon 110V pump (44" wide x 43" ht) |
| 80220MNF | 220 Gallon 110V pump (44" wide x 67" ht) |
| 80300MNF | 300 Gallon 110V pump (49" wide x 73"ht) |

Tamaños Grandes: Cono Inferior Tanque con bomba/Educator kit

| | |
|--------------|---------------|
| 80500MNF DL | 500 Gallones |
| 80750MNF DL | 750 Gallones |
| 801050MNF DL | 1050 Gallones |

Bomba opcional disponible

Características:

- Serie 400 110V bomba Sotera de fragma.
- Resistente parte inferior del cono.
- Transferencia de productos químicos de descarga válvula con/boquilla de manguera titular.
- Válvula selectora simple para establecer la mezcla o dispensar la operación.
- Sistema de agitación vortex jet para la mezcla completa del producto antes de dispensar.
- 10-15 gpm Tasa de flujo/electrico.
- 10-30 gpm Tasa de flujo/aire (opcional).
- Interruptor on/off con proteccion de sobrecarga.
- 6' 3" de alambre 110 boltios cable con/enchufe
- 2" acceso apropiado para agua llenado, kit medidor opcional de agua.

La bomba puede funcionar seco sin daño tallas grandes disponibles

Mezcla de tanque modificado para requisitos particulares y sistemas de bombeo



Jet Agitation Nozzles

Metros Acuáticos **Adder/inlet solo** (Opcional)

MNFKITA 1" Equipo del metro / 20 gpm

MNFKITB 2" Equipo del metro /30-200 gpm

Dosificador Electronico Pre-establecido Para la Transferencia de Productor Químicos.



80QUANTOFILLAHV
80QUANTOFILLALV

80QUANTOFILL12V
80QUANTOFILL110
(Metro y control sin caja, bomba solamente, ninguna plomeria.)

- Las transferencias pre-estabecido candtidad y cierre.
- Velocidad de transferencia de alto voltage máximo 12 gpm
- Tarifa de treansferencia de LV máximo 3 gpm
- Unidades de medida, 02 ml, galones
- Poder 110 voltios
- Para tambores, mw, bulks y tanques

Kits de Transferencia Multi Quimica



Bomba Sotera de la serie 400 825 digital manual resetable.

Velocidad de tránsferencia de GPM acero inoxidable de montar las patas, kits de plomeria para 1,2 o 4 salidas entrada con agujión del fambor y la hembra 2" QD para minibulk enjancar, manguera de descarga 1-12' con el tanque/bola de la válvula y boquilla.

80MCTS11
80MCTS21
80MCTS42



Pulverizadores CCI



Características Estándar:

- Tanques de Polietileno Resistente a Productos Químicos
- Marco de Aluminio Resistente a la Corrosión T6061 todo soldado con Autógena
- Control Remoto montado colador de succión con tanque válvula de encendido/apagado.
- Toda la plomería es polietileno o acero inoxidable
- Motores Honda con comienzo fácil
- Bombas de servicio comercial
- Agitación de chorro de alta presión ajustable
- Diseño de tanque de perfil bajo
- Grado premium teleducha
- Marco de fácil acceso para el mantenimiento regular
- Calibrador de presión de líquidos llenados
- Probados en fábrica y listos para uso o operación

Tanques Singular de Plataforma

| Numero de Parte | Tanque y Bomba | Motor |
|-------------------|------------------------------|-------------------|
| 7SLP050-CR-160 | 50 Gallon, Roller Pump | Honda GX160 Man. |
| 7SLP050-CR-160E | 50 Gallon, Roller Pump | Honda GX160 Elec. |
| 7SLP100-CR-160 | 100 Gallon, Roller Pump | Honda GX160 Man. |
| 7SLP100-CR-160E | 100 Gallon, Roller Pump | Honda GX160 Elec. |
| 7SLP050-K43-160 | 50 Gallon, K-43 (10.5, 560) | Honda GX160 Man. |
| 7SLP050-K43-160E | 50 Gallon, K-43 (10.5, 560) | Honda GX160 Elec. |
| 7SLP100-K43-160 | 100 Gallon, K-43 (10.5, 560) | Honda GX160 Man. |
| 7SLP100-K43-160E | 100 Gallon, K-43 (10.5, 560) | Honda GX160 Elec. |
| 7SLP100-K55-240 | 100 Gallon, K-55 (15, 560) | Honda GX240 Man. |
| 7SLP100-K55-240E | 100 Gallon, K-55 (15, 560) | Honda GX240 Elec. |
| 7SLP200-K55-240 | 200 Gallon, K-55 (15, 560) | Honda GX240 Man. |
| 7SLP200-K55-240E | 200 Gallon, K-55 (15, 560) | Honda GX240 Elec. |
| 7SLP300-K55-240 | 300 Gallon, K-55 (15, 560) | Honda GX240 Man. |
| 7SLP300-K55-240E | 300 Gallon, K-55 (15, 560) | Honda GX240 Elec. |
| 7SLP200-K75-390 | 200 Gallon, K-75 (20, 560) | Honda GX390 Man. |
| 7SLP200-K75-390E | 200 Gallon, K-75 (20, 560) | Honda GX390 Elec. |
| 7SLP300-K75-390 | 300 Gallon, K-75 (20, 560) | Honda GX390 Man. |
| 7SLP300-K75-390E | 300 Gallon, K-75 (20, 560) | Honda GX390 Elec. |
| 7SLP400-K75-390 | 400 Gallon, K-75 (20, 560) | Honda GX390 Man. |
| 7SLP400-K75-390E | 400 Gallon, K-75 (20, 560) | Honda GX390 Elec. |
| 7SLP500-K75-390 | 500 Gallon, K-75 (20, 560) | Honda GX390 Man. |
| 7SLP500-K75-390E | 500 Gallon, K-75 (20, 560) | Honda GX390 Elec. |
| 7SLP300-K120-670E | 300 Gallon, K120 (35, 700) | Honda GX670 Elec. |
| 7SLP400-K120-670E | 400 Gallon, K120 (35, 700) | Honda GX670 Elec. |
| 7SLP500-K120-670E | 500 Gallon, K120 (35, 700) | Honda GX670 Elec. |



Equipo de Fumigación - Enrolladores de Manguera Titan/Hannay



| | |
|--------------|-------------------------------------|
| 7SHR38300M | 3/8" Ag Hose 560 PSI 300ft Manual |
| 7SHR38300E | 3/8" Ag Hose 560 PSI 300ft Electric |
| 7SHR12300M | 1/2" Ag Hose 560 PSI 300ft Manual |
| 7SHR12300E | 1/2" Ag Hose 560 PSI 300ft Electric |
| 7SHR12300HPE | 1/2" Ag Hose 800 PSI 300ft Electric |
| 7SHR58300E | 5/8" Ag Hose 560 PSI 300ft Electric |
| 7SHR58300HPE | 5/8" Ag Hose 800 PSI 300ft Electric |
| 7SHR34300HPE | 3/4" Ag Hose 800 PSI 300ft Electric |

Guías de Rodillo Incluye Carretes Eléctricos
Longitudes de Manguera Opcionales Disponible

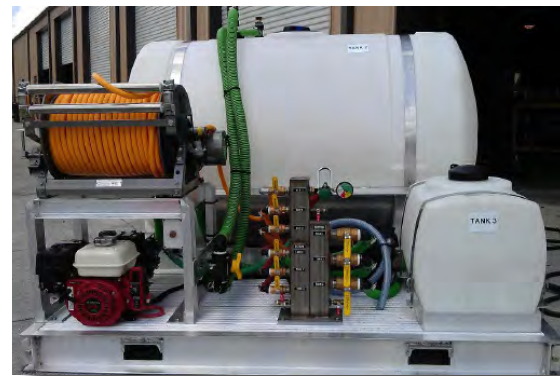


(800) 346-7867



Pulverizadores CCI

Multitanque de Tarima



| Numero de Parte | Tanque y Bomba (gpm,psi) | Motor |
|--------------------|-----------------------------------|-------------------|
| 7S10050-K43-160 | 100/50 Gallon, K-43 (10.5, 560) | Honda GX160 Man. |
| 7S10050-K43-160E | 100/50 Gallon, K-43 (10.5, 560) | Honda GX160 Elec. |
| 7S20050-K43-160 | 200/50 Gallon, K-43 (10.5, 560) | Honda GX160 Man. |
| 7S20050-K43-160E | 200/50 Gallon, K-43 (10.5, 560) | Honda GX160 Elec. |
| 7S10050-K55-240 | 100/50 Gallon, K-55 (15, 560) | Honda GX240 Man. |
| 7S10050-K55-240E | 100/50 Gallon, K-55 (15, 560) | Honda GX240 Elec. |
| 7S20050-K55-240 | 200/50 Gallon, K-55 (15, 560) | Honda GX240 Man. |
| 7S20050-K55-240E | 200/50 Gallon, K-55 (15, 560) | Honda GX240 Elec. |
| 7S100100-K55-240 | 100/100 Gallon, K-55 (15, 560) | Honda GX240 Man. |
| 7S100100-K55-240E | 100/100 Gallon, K-55 (15, 560) | Honda GX240 Elec. |
| 7S200100-K55-240 | 200/100 Gallon, K-55 (15, 560) | Honda GX240 Man. |
| 7S200100-K55-240E | 200/100 Gallon, K-55 (15, 560) | Honda GX240 Elec. |
| 7S20050-K75-390 | 200/50 Gallon, K-75 (20, 560) | Honda GX390 Man. |
| 7S20050-K75-390E | 200/50 Gallon, K-75 (20, 560) | Honda GX390 Elec. |
| 7S100100-K75-390 | 100/100 Gallon, K-75 (20, 560) | Honda GX390 Man. |
| 7S100100-K75-390E | 100/100 Gallon, K-75 (20, 560) | Honda GX390 Elec. |
| 7S200200-K75-390 | 200/200 Gallon, K-75 (20, 560) | Honda GX390 Man. |
| 7S200200-K75-390E | 200/200 Gallon, K-75 (20, 560) | Honda GX390 Elec. |
| 7S300100-K75-390 | 300/100 Gallon, K-75 (20, 560) | Honda GX390 Man. |
| 7S300100-K75-390E | 300/100 Gallon, K-75 (20, 560) | Honda GX390 Elec. |
| 7S300100-K120-670E | 300/100 Gallon, K120 (35, 700) | Honda GX670 Elec. |
| 7S400100-K120-670E | 400/100 Gallon, K120 (35, 700) | Honda GX670 Elec. |
| 7S500100-K120-670E | 500/100 Gallon, K120 (35, 700) | Honda GX670 Elec. |
| 7S315-K75-390E | 300/100/50 Gallon, K75 (20, 560) | Honda GX390 Elec. |
| 7S325-K75-390E | 300/200/50 Gallon, K75 (20, 560) | Honda GX390 Elec. |
| 7S315-K120-670E | 300/100/50 Gallon, K120 (35, 700) | Honda GX670 Elec. |
| 7S315-K120-670E | 300/100/50 Gallon, K120 (35, 700) | Honda GX670 Elec. |
| 7S425-K120-670E | 400/200/50 Gallon, K120 (35, 700) | Honda GX670 Elec. |
| 7S525-K120-670E | 500/200/50 Gallon, K120 (35, 700) | Honda GX670 Elec. |

Vea Pagin  26 para Carretes de Manguera y la Manguera



Nuestros sistemas de aspersi n port til son de calidad dise ado y fabricado para proporcionar a os de servicio confiable con bajo mantenimiento. Su dise o port til ligero hace perfecto para una amplia gama de aplicaciones de rociadora estas unidades.

CCI - 6-25 Galones Cesp d y Rociadores de C sp d

Caracteristicas Est andar:

- Qu mico resistente tanque de polietileno
- Todos los ajustadores de acero inoxidable
- Construcci n sin costuras de filtraciones de agua
- 9" Mazo de cables con abrazaderas de bater a
- Junta de drenaje r pido para la limpieza f cil
- Escala de calibraci n moldeada en el tanque
- Trabajo pesado 12v bomba de diafragma
- Pro-Trigger pistol con punta ajustable
- 5" Relleno-pozo con tapa de facil agarre
- 25' de 3/8" manguera del rociador quimico
- Los sistemas son fabricados probada y listos para funcionar.

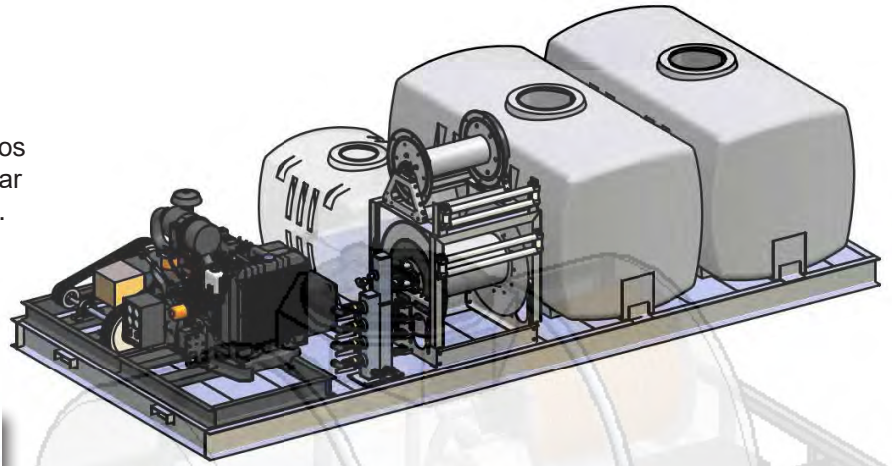
| Modelos: | Descripci n: | PSI / GPM |
|----------|---|-----------|
| CCI6 | 6 Galones Vaporizador del punto, 25 ft hose, poly gun. | 60 • 1.8 |
| CCI14ECO | 14 Galones Vaporizador del punto, 25ft hose, poly gun. | 60 • 1.0 |
| CCI25ECO | 25 Galones Vaporizador del punto, 25ft hose, poly gun. | 60 • 1.0 |
| CCI14 | 14 Galones Vaporizador del punto, 25 ft hose, poly gun. | 60 • 1.8 |
| CCI25 | 25 Galones Vaporizador del punto, 25 ft hose, poly gun. | 60 • 1.8 |
| CCI15 | 15 Galones Vaporizador del punto, 25 ft hose, poly gun. | 60 • 1.8 |



Pulverizadores Personalizados

Pulverizadores Personalizados:

Nos especializamos en las plataformas construidas aerosol las páginas anteriores de correderas de aerosol son sugerencias de muchos tamaños que ofrecemos, llámenos para configurar su tarima de aerosol para suplir sus necesidades. Nuestro departamento de ventas esta listo para asistirle con 35 años de experiencia.



(800) 346-7867

Página 25



Vaporizadores Rears/Traseros



Chemical Containers Inc. Es su Centro de Servicio y Piezas Completas



Construcción de acero inoxidable, tanques, accesorios, herrajes y plomería.

Rears constante velocidad enganche liso 90 grados se convierte.

Rears bombas centrifugas 200 psi/80 gpm

Pulverización con control manual, eléctrico, hidráulico.

Rodillo doble de cuerpo de la boquilla fácil cambio de aplicación.

33" de 38" diámetro ventiladores axiales montados en carcasa de acero inoxidable.

Ventilador eléctrico embrague on/off control para mezclar.

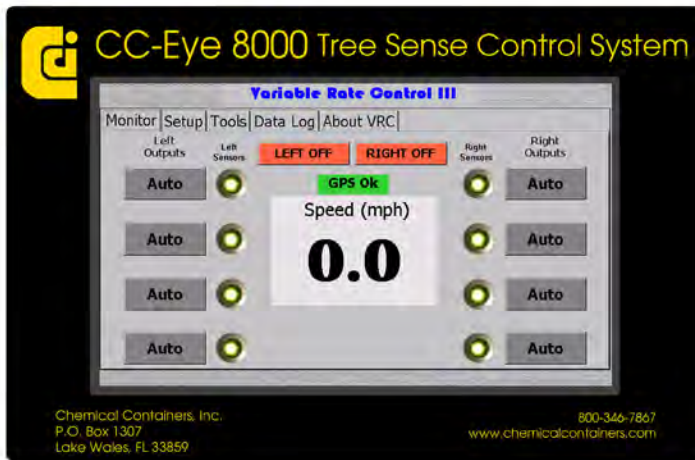


CC-Eye 8000 Sentido del Arbol

Sistemas de Control



Con el creciente costo y nuevos retos de la enfermedad en la producción de cultivos, los agricultores tienen que aprovechar todas las oportunidades para ahorrar tiempo y dinero sin sacrificar la calidad de la atención proporcionada a los cultivos. Invertir en la tecnología de Chemical Containers CC-Eye-8000 sistema de arbor control sentido, patentado y permitase como un agricultor aplicar aplicaciones exactas, precisas, ahorrándole tiempo y dinero. Los agricultores que actualmente están utilizando el sistema de Control CC-Eye-8000 sentido de árboles, se están dando cuenta de reducciones dramáticas en aplicaciones de costo y tiempo de aplicación. Comuníquese hoy mismo acerca de invertir en el sistema de Control CC-Eye-8000 sentido de árbol, para su rociador o fertilizante esparcidor.



Características:

- Tocar pantalla de programación, fácilmente programable para los usuarios de primera vez.
- Nuestro exclusivo, Característica, mirar hacia adelante.
- El Sistema de Control CC-Eye-8000 Arbol Sentido factores en el retraso del implemento mecanico mientras monitorea constantemente los cambios de velocidad del implemento mediante GPS. Cuando cambia la velocidad de implementación, el sistema automáticamente vuelve a calcular la “mirada adelante a distancia” asegurar que el búfer de aplicación predifinidos se archiva antes y después de la meta.
- Aplicación Destino Buffers
- Permiten a los usuarios aumentar o disminuir en incrementos de una pulgada la distancia que la aplicación comienza delante de y continúa pasando el árbol dirigido.
- Ojos de detección infraroja se puede montar en el tractor o ser implementados.
- Permite para que cultivadores uso mismo controlador CC-Eye-8000 árbol sentido, el sistema de control con múltiples instrumentos.
- Capaz de almacenar múltiples ajustes de programa de aerosol.
- Hasta 8 zonas en pulverizadores o separadores.
- Tecnología patentada.





Equipo de Agricultura Personalizado

Equipo de Ag Personalizado de Chemical Containers Inc.

Línea completa de rociadores de agricultura incluyendo:

- Vaporizadores Cítricos.
- Vaporizadores de la cosecha de fila.
- Vaporizadores de vivero.
- Esparcidores de abono.
- Retumbos de herbicida.
- Parques de tanques de fertilizante a granel.
- Sistemas de inyección.





Equipo de Agricultura Personalizado

Fumigadora Arco de 300 Galones



Fumigadora Herbicida 3 Puntos de 300 Galones



Fumigadora para Pasto de 1000 Galones

(800) 346-7867



Accesorios y Piezas del Rociador- Estan en Reserva



1-800-346-7867
www.chemicalcontainers.com